



BCS Motor mowers, BCS 2-wheel tractors

770 HY PS

27/01/2022

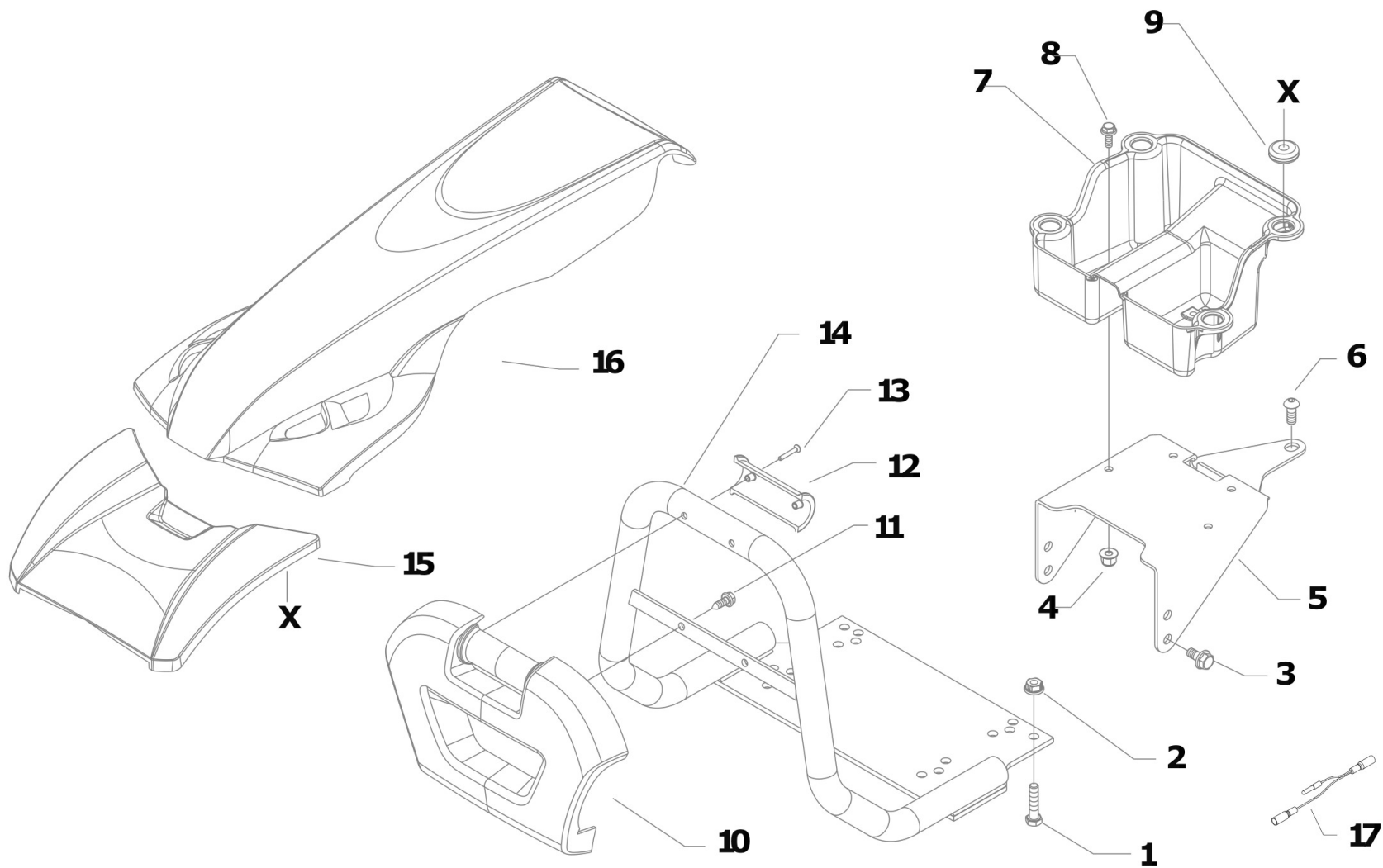
A70020 - 770 HY PS.....	3
A.01.01.A0039_00 - ENGINE PROTECTIONS.....	5
B.01.01.A0039_00 - POWERSAFE CLUCH CONTROL.....	7
B.01.01.A0039_01 - POWERSAFE CLUCH CONTROL.....	9
C.01.01.A0039_00 - CYLINDER AND POWERSAFE CLUTCH.....	11
D.01.01.A0039_00 - POWERSAFE FILTER AND UNIT.....	13
D.01.01.A0039_01 - POWERSAFE FILTER AND UNIT.....	15
E.01.01.A0039_00 - POWERSAFE CLUTCH HUB.....	17
F.01.01.A0039_00 - ENGINE FLANGES.....	19
G.01.01.A0039_00 - GEARBOX.....	21
H.01.01.A0039_00 - GEAR SHAFT CLUTCH.....	23
H.02.01.A0039_00 - REFERENCE GEAR / SHAFT CLUTCH.....	25
H.03.01.A0039_00 - REFERENCE GEAR.....	27
H.04.01.A0039_00 - PUMP ASSEMBLY.....	29
H.05.01.A0039_00 - PUMP CONTROL.....	31
I.01.01.A0039_00 - WHEEL AXLE.....	33
J.01.01.A0039_00 - STEERING COLUMN.....	35
K.01.01.A0039_00 - HANDLEBAR.....	37
L.01.01.A0039_00 - HANDLEBAR CONTROLS.....	39
M.01.01.A0039_00 - AUCTION OF CONTROL.....	42
N.01.01.A0039_00 - BRAKES.....	44
P.01.01.A0039_00 - WHEELS.....	46
R.01.01.A0039_00 - STICKERS.....	48
Components index.....	50





Id	Description
A.01.01.A0039_00	ENGINE PROTECTIONS
B.01.01.A0039_00	POWERSAFE CLUCH CONTROL
B.01.01.A0039_01	POWERSAFE CLUCH CONTROL
C.01.01.A0039_00	CYLINDER AND POWERSAFE CLUTCH
D.01.01.A0039_00	POWERSAFE FILTER AND UNIT
D.01.01.A0039_01	POWERSAFE FILTER AND UNIT
E.01.01.A0039_00	POWERSAFE CLUTCH HUB
F.01.01.A0039_00	ENGINE FLANGES
G.01.01.A0039_00	GEARBOX
H.01.01.A0039_00	GEAR SHAFT CLUTCH
H.02.01.A0039_00	REFERENCE GEAR / SHAFT CLUTCH
H.03.01.A0039_00	REFERENCE GEAR
H.04.01.A0039_00	PUMP ASSEMBLY
H.05.01.A0039_00	PUMP CONTROL
I.01.01.A0039_00	WHEEL AXLE
J.01.01.A0039_00	STEERING COLUMN
K.01.01.A0039_00	HANDLEBAR
L.01.01.A0039_00	HANDLEBAR CONTROLS
M.01.01.A0039_00	AUCTION OF CONTROL
N.01.01.A0039_00	BRAKES
P.01.01.A0039_00	WHEELS
R.01.01.A0039_00	STICKERS





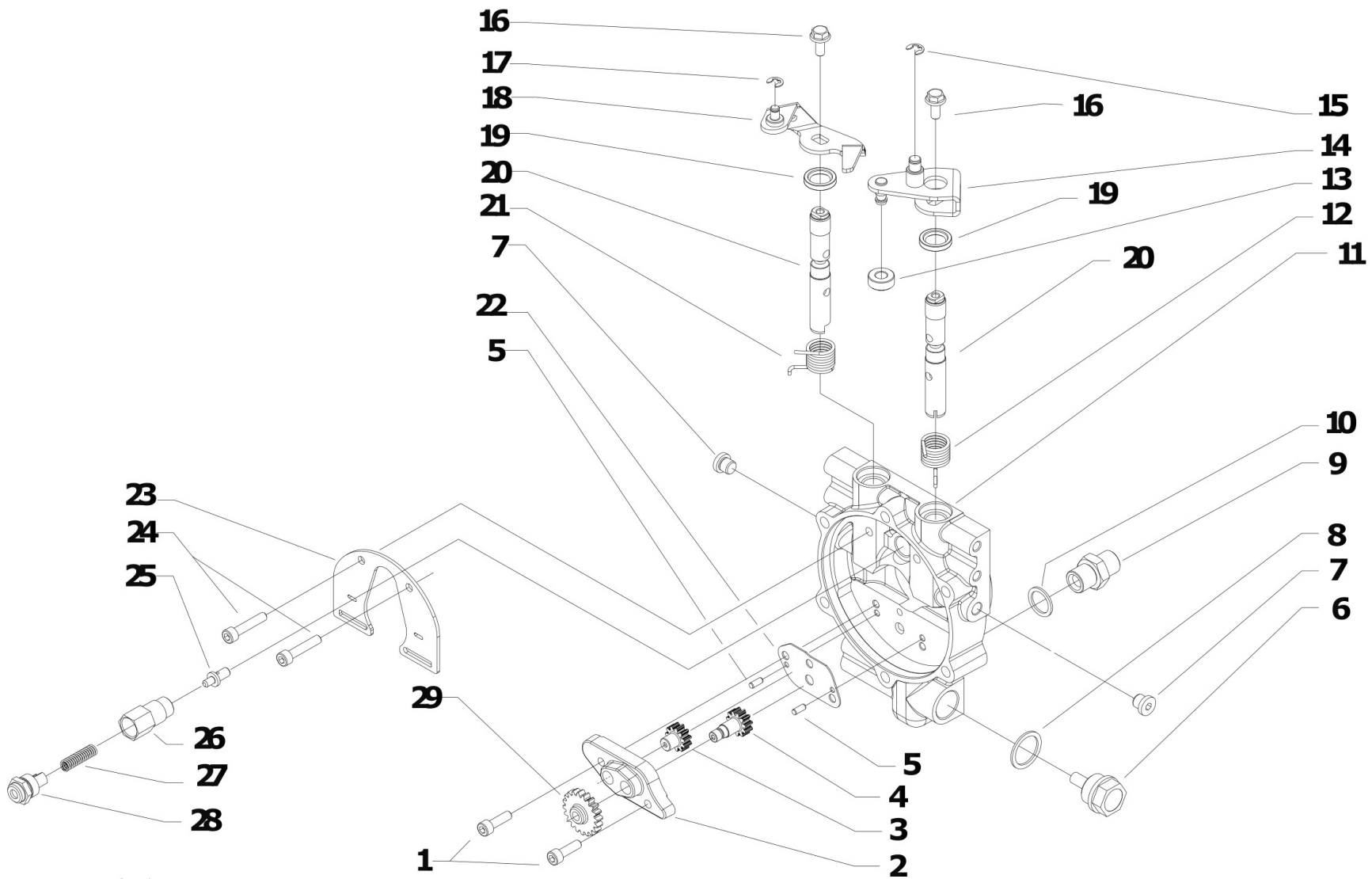
 [Click for info](#)

★ = new part



Pos.	Id	Q.ty	Description	Note
1	31112154		SCREW TE M8X40 UNI 5739 8G	
2	31241084		SELFLOCK NUT M8 6S	
3	31112171		SCREW TE C/F M8X16 DIN 6921	
4	31241066		SELFLOCK M6 FL NY DIN 6926	
5	561C1680N		TUNNEL MC HY	
6	31121008		SCREW TBCEI M10X16 ISO 7380	
7	552C1001		FAIRINGS BOX	
8	31112081		SCREW TE C/F M6X20 DIN 6921 8G	
9	58056991		CABLE GLAND 90/200/30	
10	55257521		BCS FRONT PLASTIC DESCRIPTION MC 2010	
11	31510100		RIBBED SCREW 6,3X19 UNI 6950	
12	55257522		HALF BEARING	
13	31100451		SCREW 3,5X25	
14	59053021H		BUMPER C.15LD-ACT-GX ALUM.	GX 390
14	59056127H		BUMPER FOR 740	L100
15	55257621		GUARD	
16	55257623		GUARD	
17	58057385		LINE	





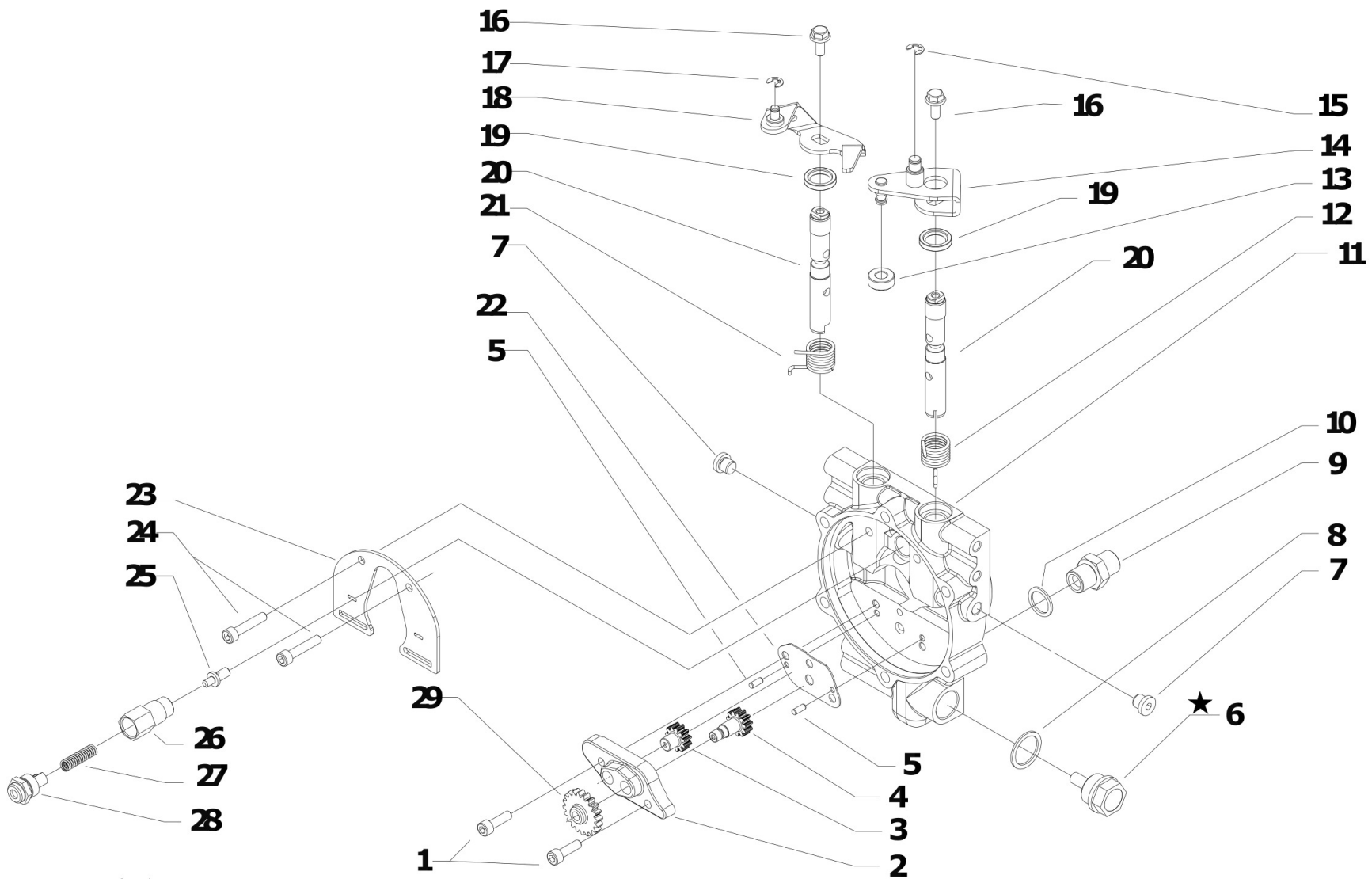
 [Click for info](#)

★ = new part



Pos.	Id	Q.ty	Description	Note
1	31152063		SCREW TCEI M6X20 UNI 5931	
2	56356364		PUMP COVER PS/14	
3	52456371		PUMP GEAR PS/14	
4	52456372		PUMP GEAR	
5	34221040		CYLINDRICAL PLUG	
6	58170021		PLUG	
7	580C0041		PLUG	
8	F0844273090		GASKET 22X28X1,5 CU 99,5	
9	30000197		NIPPLE	
10	31480184		COPPER WASHER 16,7x22/1,5	
11	59256745		POWERSAFE CLUTCH FLANGE	
12	58056222		SPRING	
13	55256228		ROLLER	
14	59056225Z		CLUTCH LEVER	
15	35211060		SEEGER RING E 6 UNI 7434	
16	31112084		SCREW TE C/F M6X14 DIN 6921 8G	
17	35211050		SEEGER RING E 5 UNI 7434	
18	59056748Z		COMPLETE STOP LEVER PS GALV.	
19	38211400		OIL SEAL 14X22X4	
20	52456220		DISTRIBUTOR	
21	58056221		SPRING	
22	56356747		PUMP RECEPTOR PS/14	
23	56156224		SHIELD	
24	31152060		SCREW TCEI M6X30 UNI 5931	
25	56456657		VALVE	
26	56156658		VALVE INSERT/INLET	
27	58056683		SPRING	
28	56356242		PLUG	
29	52456235		PUMP GEAR	





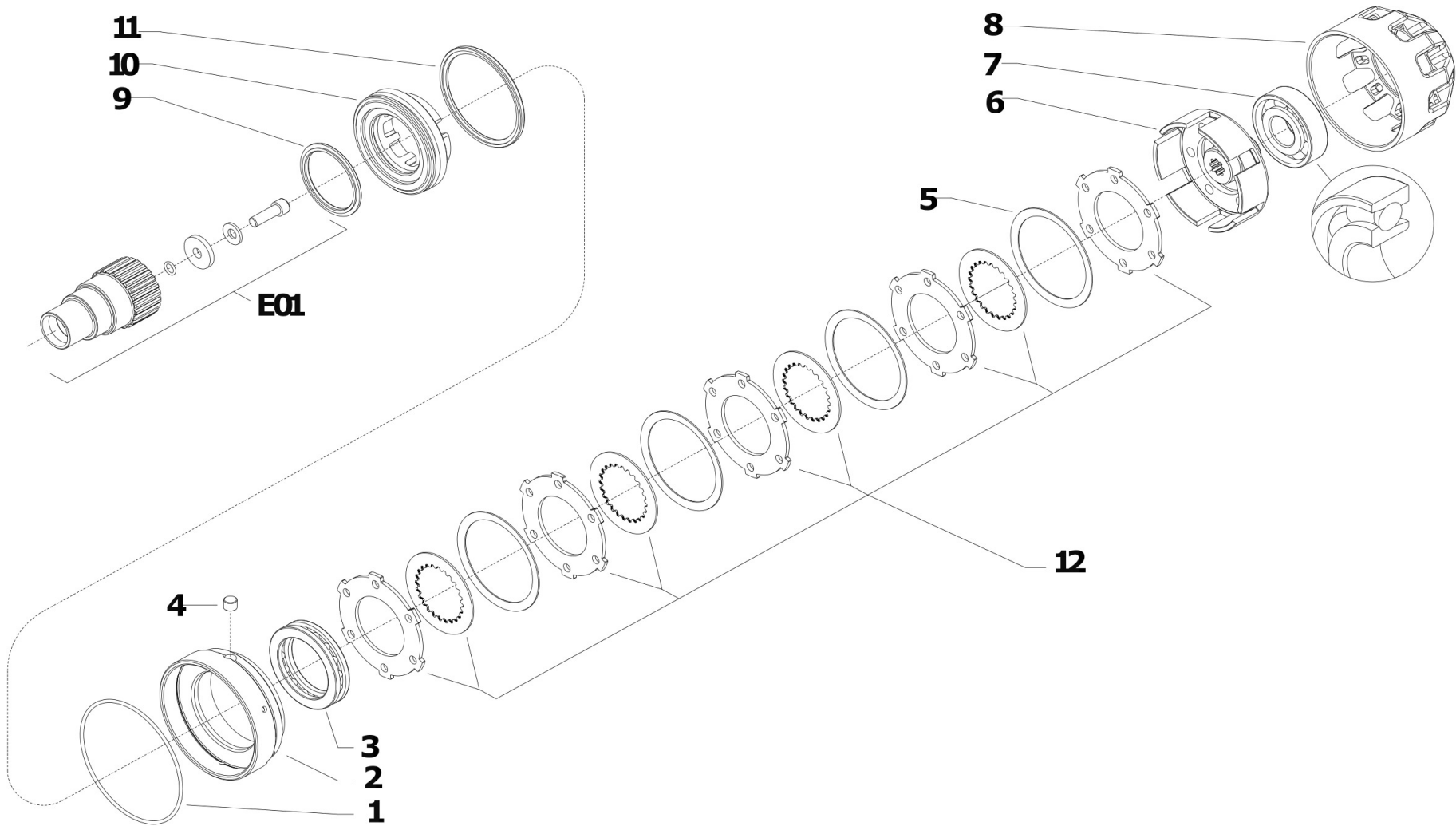
 [Click for info](#)

★ = new part



Pos.	Id	Q.ty	Description	Note
1	31152063		SCREW TCEI M6X20 UNI 5931	
2	56356364		PUMP COVER PS/14	
3	52456371		PUMP GEAR PS/14	
4	52456372		PUMP GEAR	
5	34221040		CYLINDRICAL PLUG	
6	581C2554		TAPPO MAGNETICO M22X1,5	
7	580C0041		PLUG	
8	F0844273090		GASKET 22X28X1,5 CU 99,5	
9	30000197		NIPPLE	
10	31480184		COPPER WASHER 16,7x22/1,5	
11	59256745		POWERSAFE CLUTCH FLANGE	
12	58056222		SPRING	
13	55256228		ROLLER	
14	59056225Z		CLUTCH LEVER	
15	35211060		SEEGER RING E 6 UNI 7434	
16	31112084		SCREW TE C/F M6X14 DIN 6921 8G	
17	35211050		SEEGER RING E 5 UNI 7434	
18	59056748Z		COMPLETE STOP LEVER PS GALV.	
19	38211400		OIL SEAL 14X22X4	
20	52456220		DISTRIBUTOR	
21	58056221		SPRING	
22	56356747		PUMP RECEPTOR PS/14	
23	56156224		SHIELD	
24	31152060		SCREW TCEI M6X30 UNI 5931	
25	56456657		VALVE	
26	56156658		VALVE INSERT/INLET	
27	58056683		SPRING	
28	56356242		PLUG	
29	52456235		PUMP GEAR	





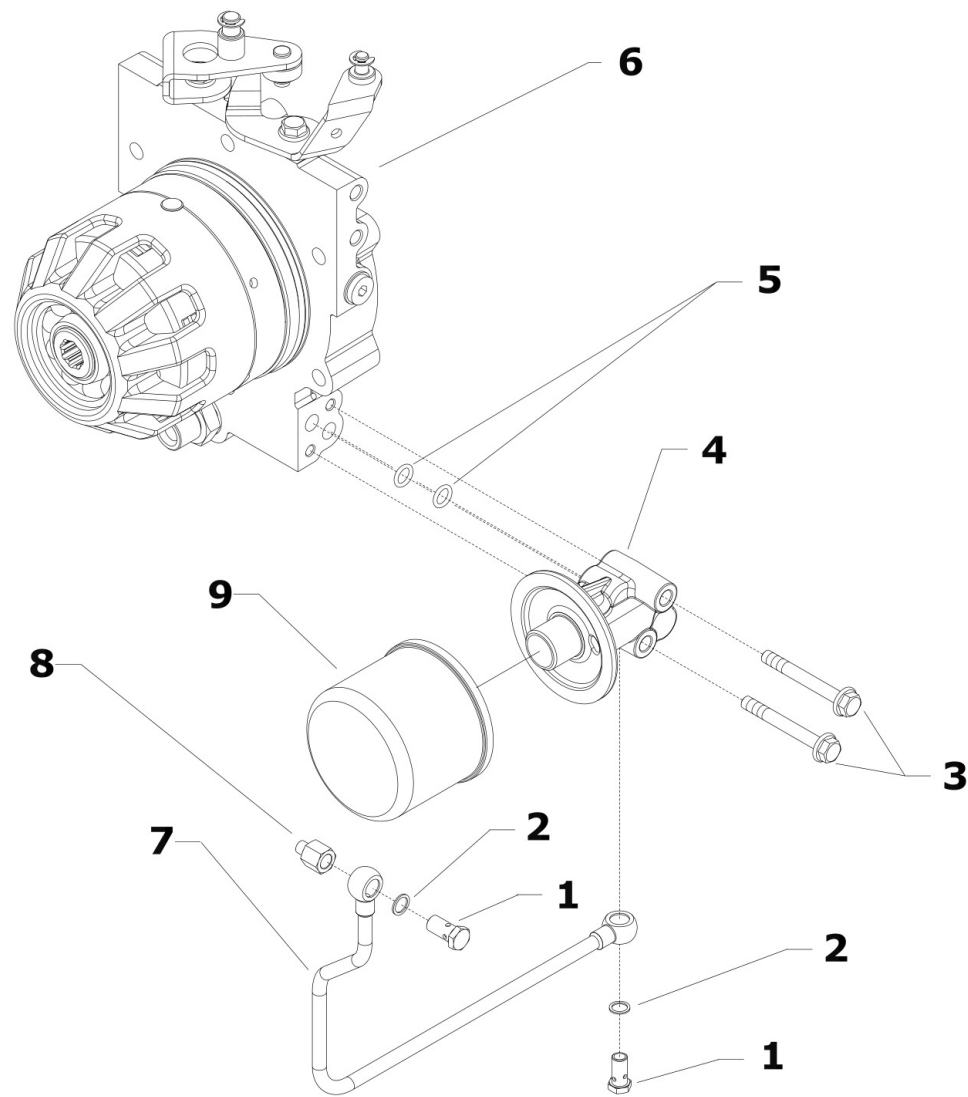
 [Click for info](#)

★ = new part



Pos.	Id	Q.ty	Description	Note
1	38118859		O-RING OR 3375 (94,92X2,62)	
2	56356216		RING	
3	37161500		BEARING 51110 (50X70X14)	
4	56156247		PIN	
5	56556213		SPRING	nr.4
6	52456694		CLUTCH HOUSING	
7	37141253		BEARING 7305-BJP OBL 25x62x17	
8	53156210		SUMP	
9	38120501		RING PTFE PRP 01A02-0500-A-32	
10	53156218		PISTON	
11	38140851		RING PTFE PRP02A02-0850-A-32-N	





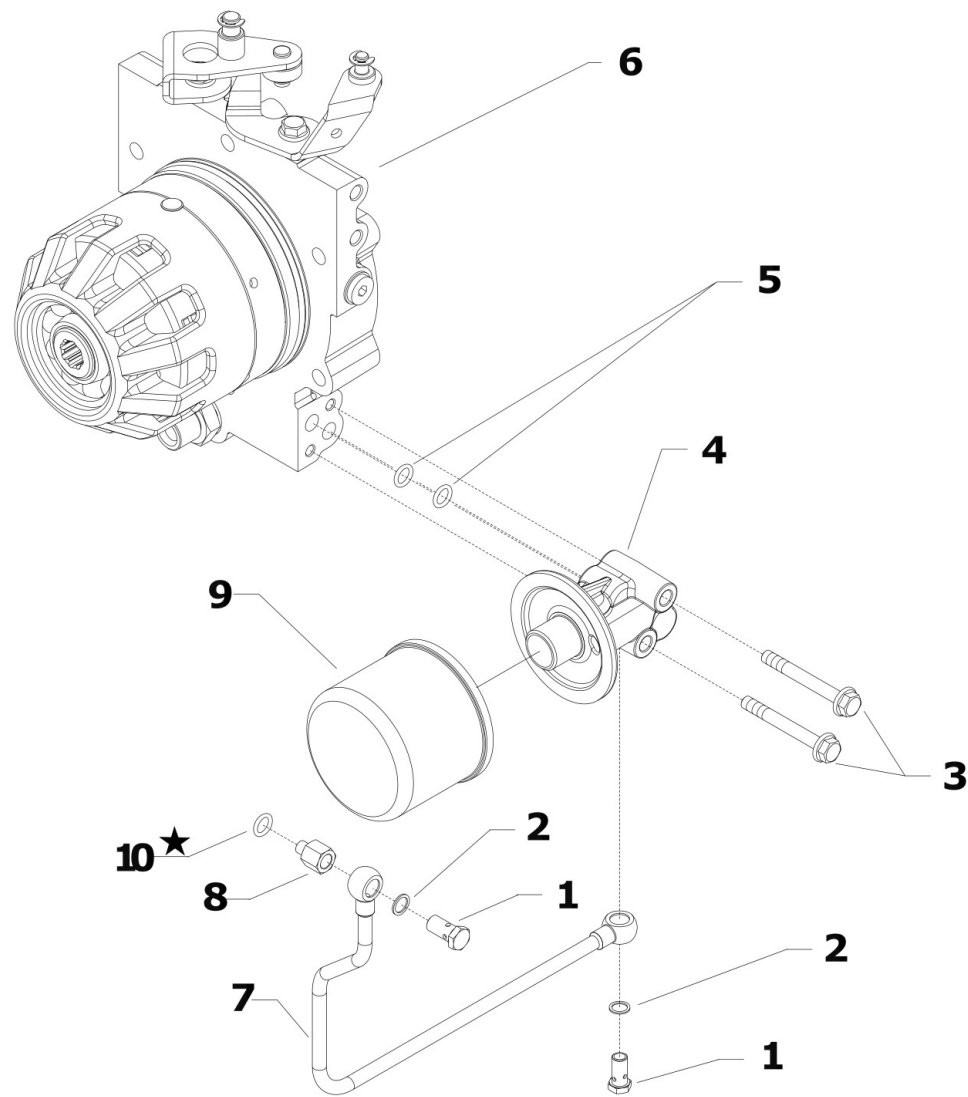
 [Click for info](#)

★ = new part



Pos.	Id	Q.ty	Description	Note
1	F0843109020		PIPE FITTING	
2	31480184		COPPER WASHER 16,7x22/1,5	
3	31112099		SCREW TE C/F M6X50 DIN 6921 8G	
4	53156659		CONNECTION	
5	38110873		O-RING 108 (8,73X1,78)	
6	59256037		CLUTCH FOR POWERSAFE Q25.4 (3/8)	GX390
6	59256038		POWERSAFE CLUTCH	L100
7	590C0219Z		SUCTION PIPE	
8	581C0225		REDUCTION	
9	580C0268		FILTER	



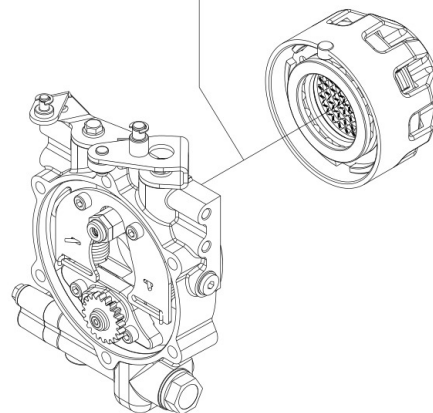
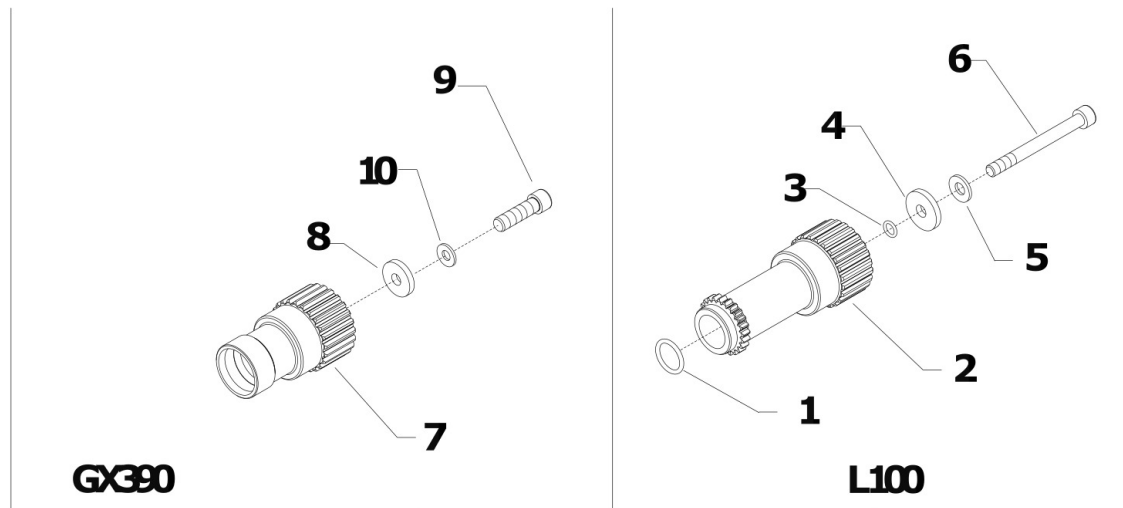


 [Click for info](#)

★ = new part

Pos.	Id	Q.ty	Description	Note
1	F0843109020		PIPE FITTING	
2	31480184		COPPER WASHER 16,7x22/1,5	
3	31112099		SCREW TE C/F M6X50 DIN 6921 8G	
4	53156659		CONNECTION	
5	38110873		O-RING 108 (8,73X1,78)	
6	59256037		CLUTCH FOR POWERSAFE Q25.4 (3/8)	GX390
6	59256038		POWERSAFE CLUTCH	L100
7	590C0219Z		SUCTION PIPE	
8	581C0225		REDUCTION	
9	580C0268		FILTER	
10	38111078		O-RING 3043 (10,78X2,62)	





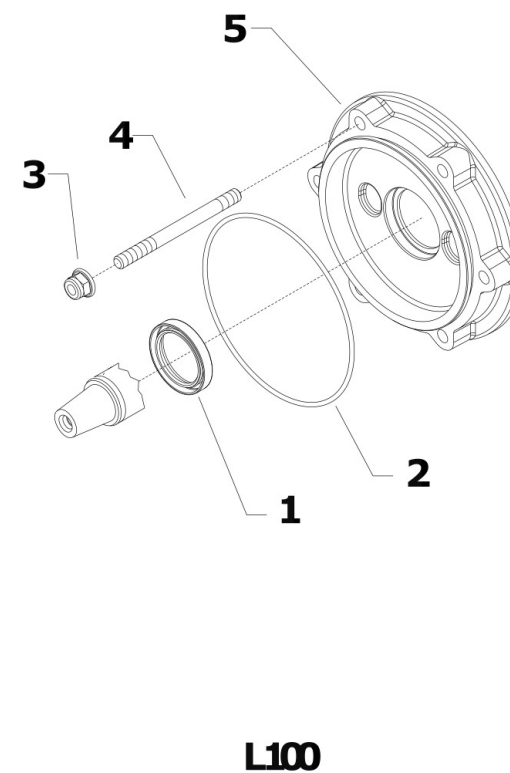
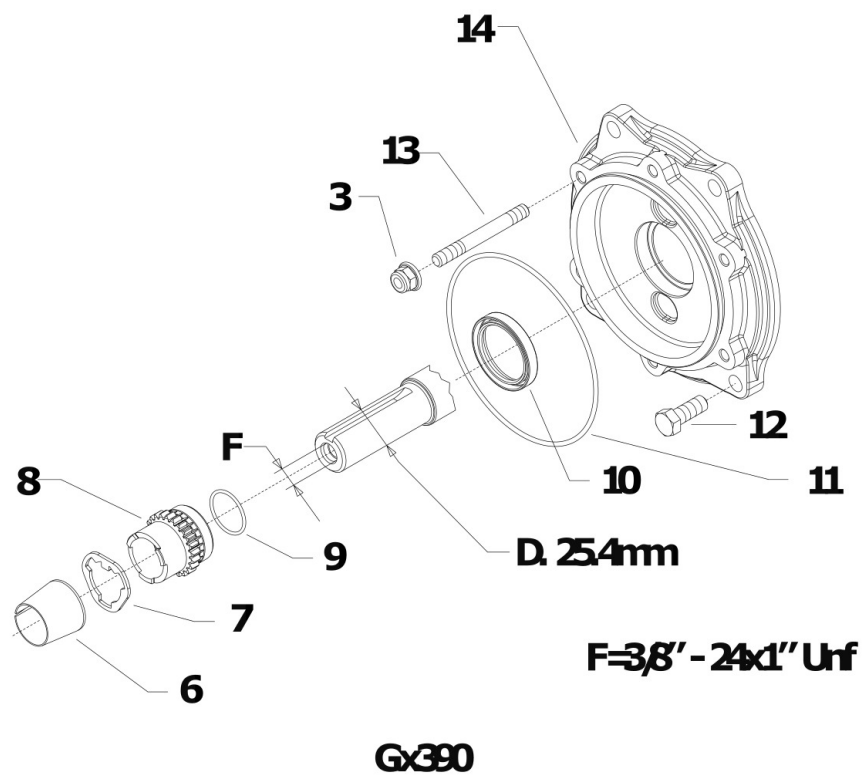
 [Click for info](#)

★ = new part



Pos.	Id	Q.ty	Description	Note
1	38111872		O-RING 3075 (18,72x2,62)	
2	52456245		HUB	
3	38110675		O-RING 106 (6,75X1,78)	
4	56156288Z		SPECIAL WASHER SP.4	
5	31421083		WASHER	
6	31152090		SCREW TCEI M8x80 UNI5931	
7	52456233		HUB Q25	
8	561C0421		WASHER	
9	31100033		SCREW TCCEI 3/8-24 X 1-1/2	
10	31421101		WASHER 10 DIN 679	



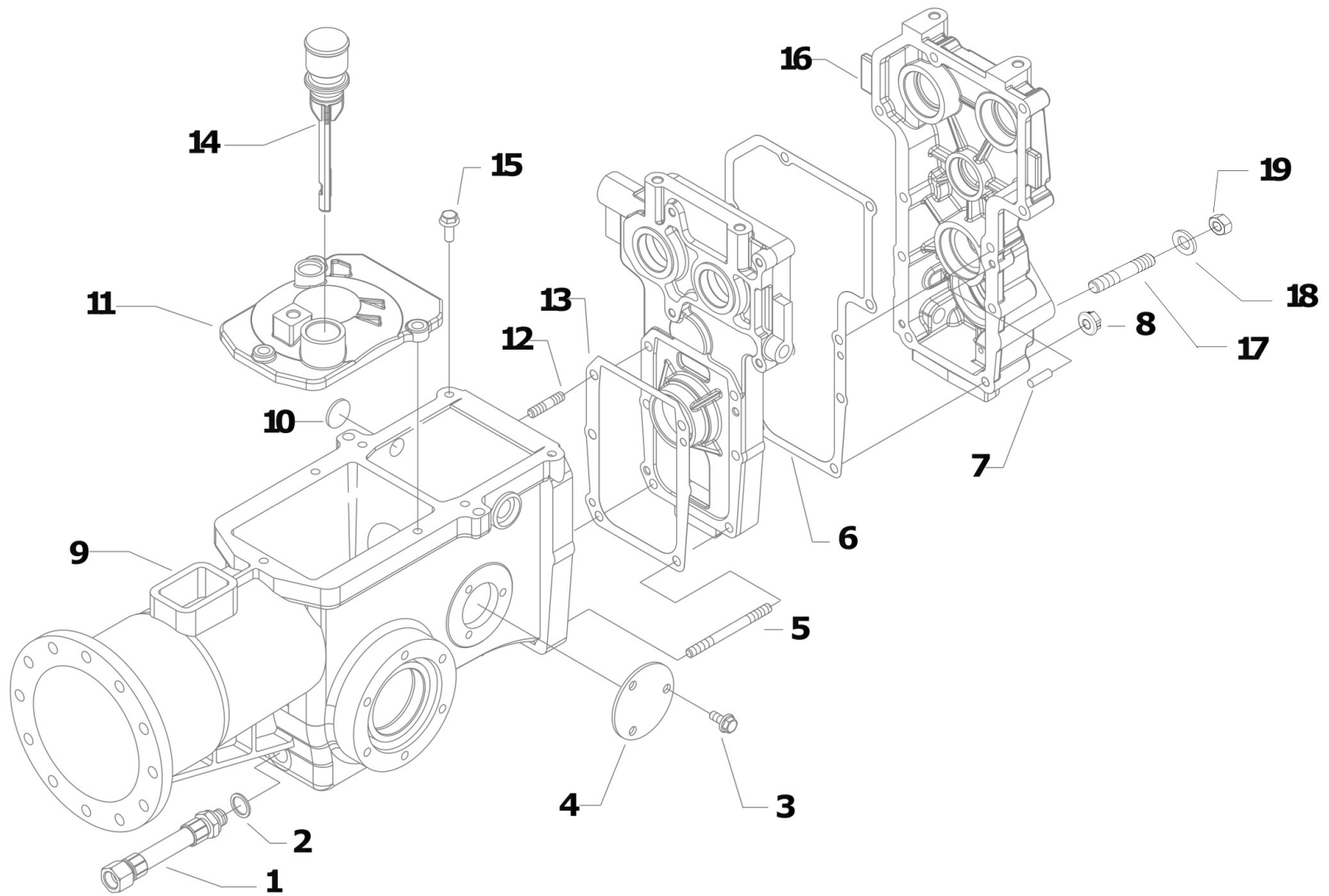


 [Click for info](#)

★ = new part

Pos.	Id	Q.ty	Description	Note
1	38213202		OIL SEAL 32X45X7	
2	38119823		O-RING 3450 (113,97x2,62)	
3	31241083		SELFLOCK NUT M8	
4	31312097		STUD BOLT M8X98X16X28 8G	
5	53156207		ENGINE FLANGE	
6	56156281		CENTRING BUSH D.25,4	
7	56356239		FEEDER Q25	
8	52456236		PUMP GEAR	
9	F0803075500		O-RING 2100 (25,12X1,78)	
10	38213500		OIL SEAL 35X47X7	
11	38119823		O-RING 3450 (113,97x2,62)	
12	31100015		SCREW TE 3/8X1	
13	31312073		STUD BOLT M8X73X14X20 8G	
14	53156205		ENGINE FLANGE Q25	





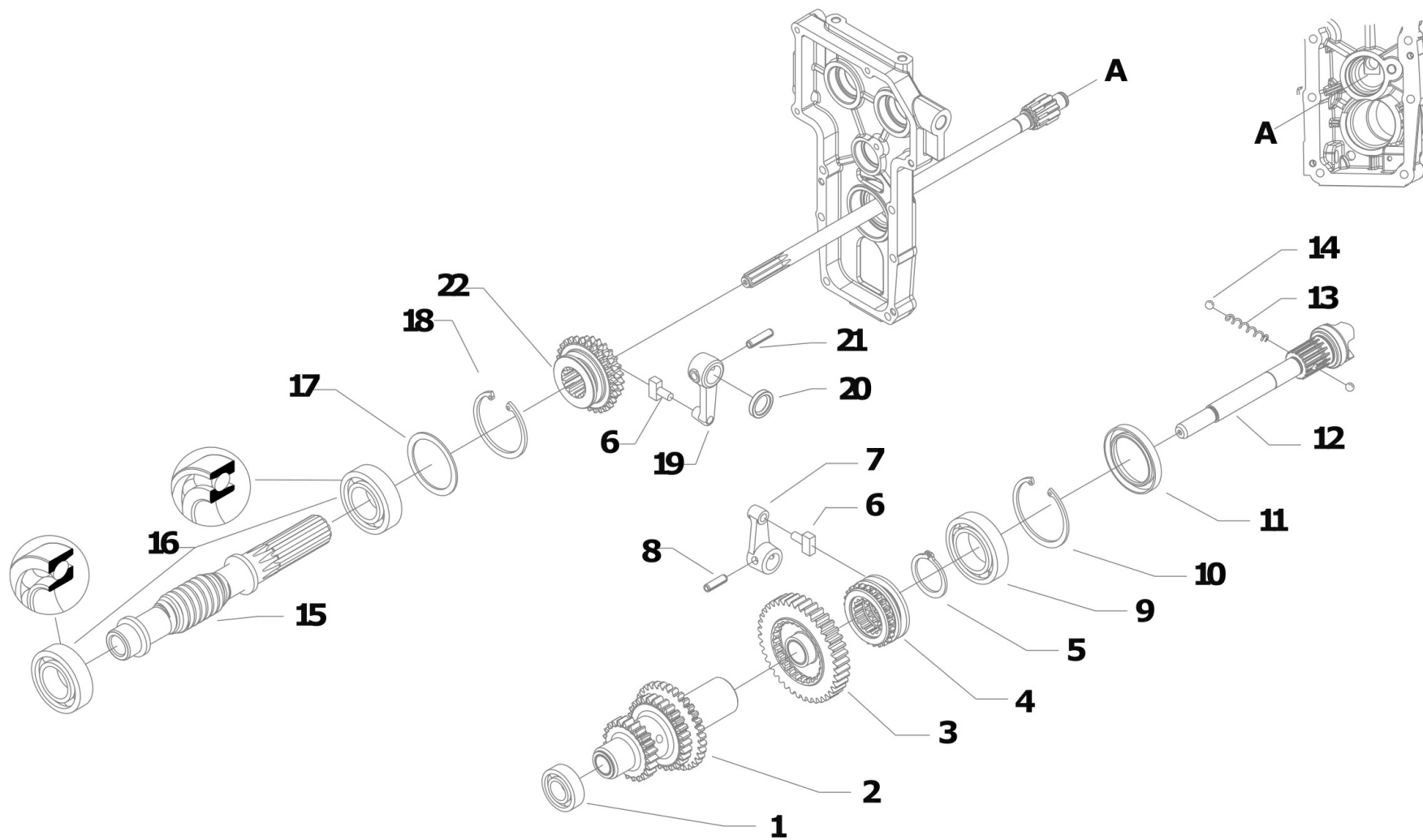
 [Click for info](#)

★ = new part



Pos.	Id	Q.ty	Description	Note
1	59056244		SUCTION PIPE	
2	31480184		COPPER WASHER 16,7x22/1,5	
3	31112079		VITE TE C/F M6X12 DIN 6921 RVS	
4	56147520Z		COVER	
5	31312097		STUD BOLT M8X98X16X28 8G	
6	580C0148		FLANGE GASKET	
7	58043053		CYLINDRICAL PLUG	
8	31241084		SELFLOCK NUT M8 6S	
9	53156202N		BOX CASING	
10	30040133Z		PLUG 22 DIN 470	
11	53143875N		GEARBOX HOUSING COVER	
12	31312090		STUD BOLT M8X88X16X28 8G	
13	58056671		GASKET	
14	59256762		OIL CAP M COMPLETE	
15	31112170		SCREW TE C/F M8X20 DIN 6921	
16	532C1660N		REAR COVER	
17	31312125		STUD BOLT 64XM12X1,25X26XM12X30 8G	
18	31421132		WASHER 13X24X2,8	
19	31221121		NUT M12X1,25	





 [Click for info](#)

★ = new part

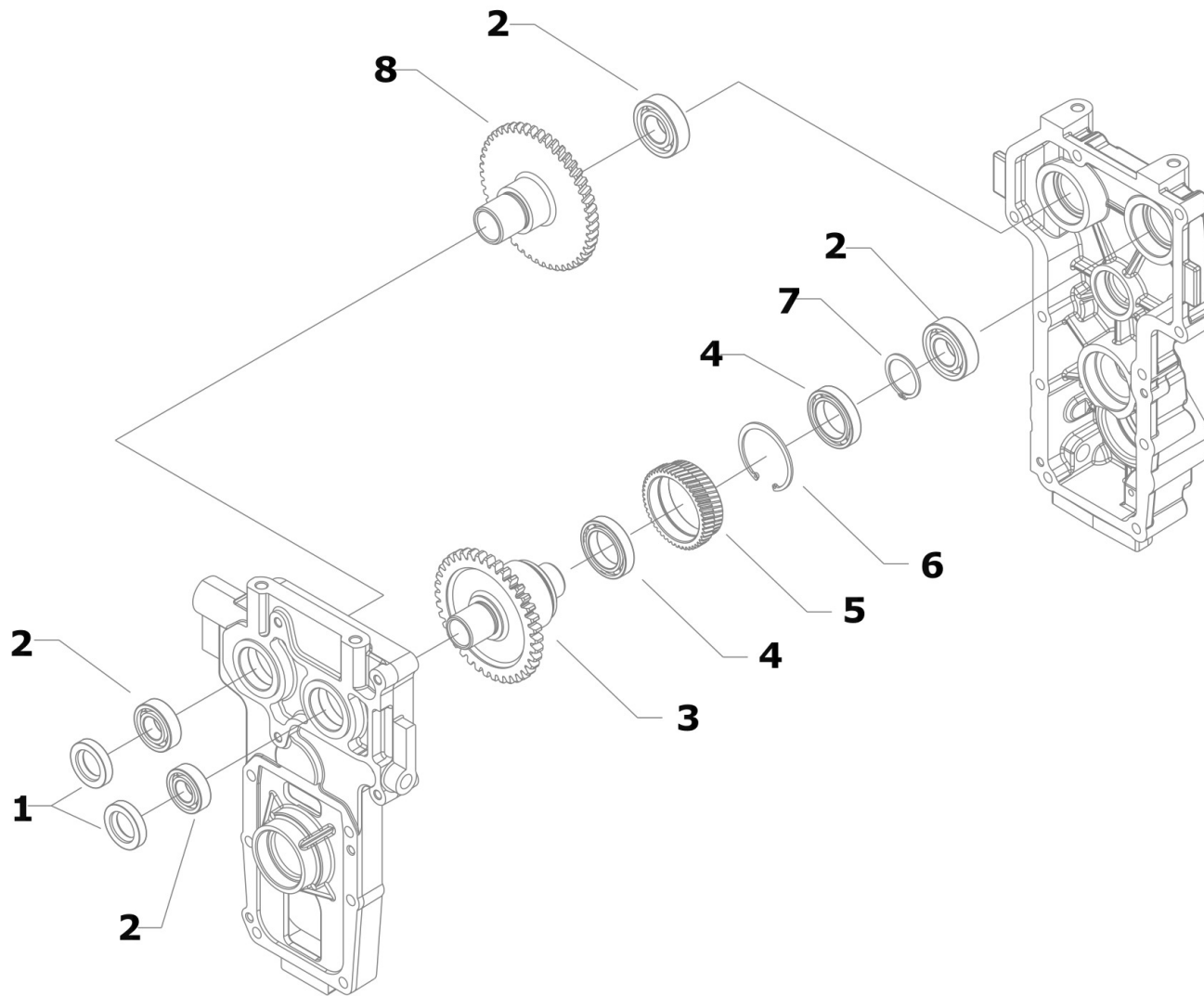


Pos.	Id	Q.ty	Description	Note
1	37111151		BEARING 6202 (15X35X11)	
2	590C1662		INGRANAGGIO TRIPLO MC HY C.TO	
3	590C0168		GEAR	
4	52456706		PTO COUPLING	
5	35121031		SEEGER RING E 30 UNI 7436	
6	58043086		SHOE	
7	52456390		LEVER	
8	34213061		ROLL PIN	
9	37112229		BEARING 6006 (30X55X13) SKF	
10	35111055		SEEGER RING I 55 DIN 472	
11	38214207		OIL SEAL 42X55X7	
12	52456621		ALBERO PTO HY TR	
13	58056391		SPRING	
14	37910832		BALL 1/4	
15	56456478		SCREW 2	
16	37141250		BEARING 7205-B OBL SKF	
17	56356328		ADJUSTING RING SP=1,5	
17	56356329		ADJUSTING RING SP=1,6	
17	56356330		ADJUSTING RING SP=1,7	
17	56356331		ADJUSTING RING SP=1,8	
18	35111053		SEEGER RING I 52 UNI 7438	
19	52456389		LEVER	
20	38211400		OIL SEAL 14X22X4	
21	34213060		ROLL PIN	
22	524C0227		SLIDING HYDRO	



Pos.	Id	Q.ty	Description	Note
1	35121022		SEEGER RING E 20 UNI 7436	
2	563C0200		WASHER 20.3X30X1.5	
3	524C0162		LAY GEAR	
4	37111253		BEARING 6005 (25X47X12)	
5	532C0439		FLANGE	
6	37112229		BEARING 6006 (30X55X13) SKF	
7	524C0575		GEAR SHAFT	
8	524C0160		OUTPUT GEAR	
9	524C1674		ALBERO PRIMARIO IDRO	
10	31112210		SCREW TE M10X20 UNI 5739	
11	31421101		WASHER 10 DIN 679	
12	31312086		STUD BOLT M8X56X20X14	
13	35211150		SEEGER RING E 15 UNI 7434	
14	31241084		SELFLOCK NUT M8 6S	
15	37111200		BEARING 6004 (20X42X12)	
16	524C0445		PUMP GEAR	
17	524C0158		IDLE ENGINE GEAR	
18	F0801310000		RING	
19	563C0218		WASHER	
20	37111151		BEARING 6202 (15X35X11)	
21	31312086		STUD BOLT M8X56X20X14	
22	31312079		STDU N M8X40X14X20 8G	





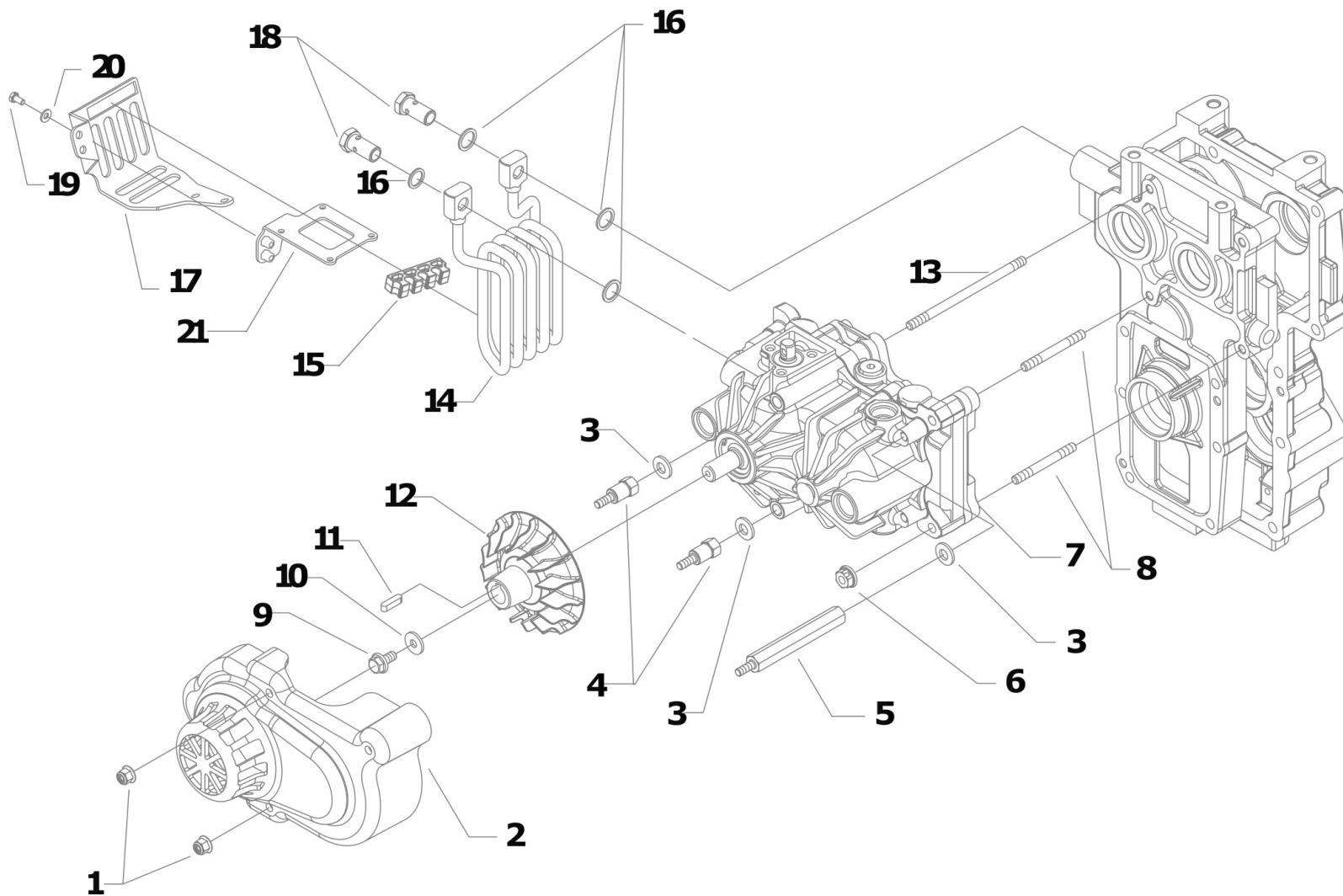
 [Click for info](#)

★ = new part



Pos.	Id	Q.ty	Description	Note
1	38212001		OIL SEAL 20X35X7	
2	37111200		BEARING 6004 (20X42X12)	
3	590C1661		INGRANAGGIO MOTORE MC HY C.TO	
4	37111362		BEARING 61908 (40x62x12)SKF	
5	524C0157		LAY GEAR	
6	35111062		SEEGER RING I 62 DIN 472	
7	F0801275000		SEEGER RING E 36 UNI 7435	
8	590C0293		PUMP GEAR	





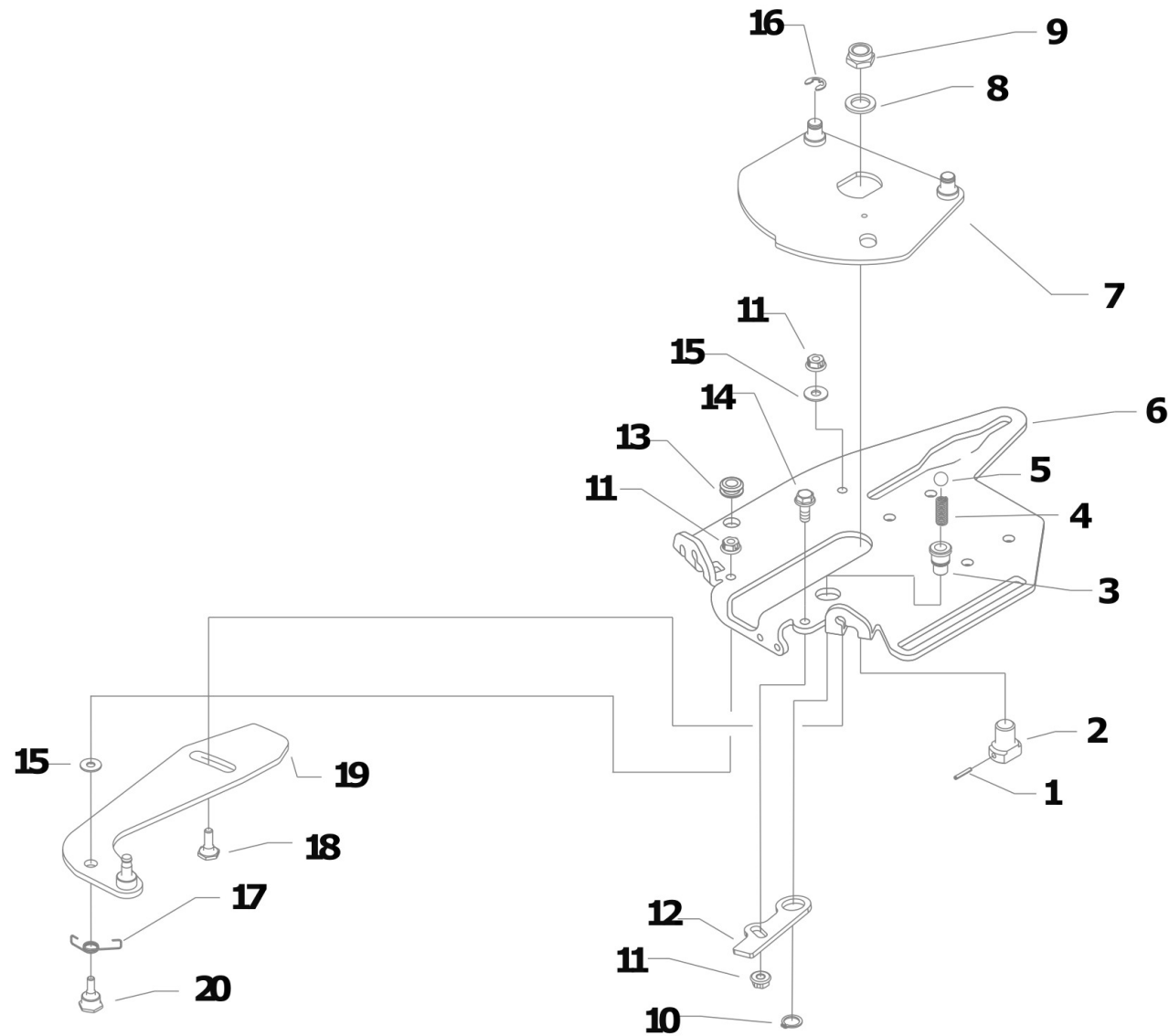
 [Click for info](#)

★ = new part



Pos.	Id	Q.ty	Description	Note
1	31241066		SELFLOCK M6 FL NY DIN 6926	
2	552C0154		SUMP	
3	31421083		WASHER	
4	563C0173Z		SMALL COLUMN	
5	563C0174		SMALL COLUMN	
6	31241084		SELFLOCK NUT M8 6S	
7	581C0290		GR. KANZAKI KHS-13JH	
8	580C0224Z		STUD BOLT	
9	31112083		SCREW M6X12	
10	31411066		WASHER 6,6x18	
11	34321050		KEY 5X5X20	
12	552C0153		PIPE	
13	580C0223Z		STUD BOLT	
14	590C0461Z		RADIATORE C.TO ZNT	
15	551C0456		DAMPER	
16	31480184		COPPER WASHER 16,7x22/1,5	
17	561C1670		SCUDO RADIATORE MC HY	
18	F0843109020		PIPE FITTING	
19	31112210		SCREW TE M10X20 UNI 5739	
20	31421101		WASHER 10 DIN 679	
21	590C1671		ATTACCO SCUDO MC HY CON P.I.	





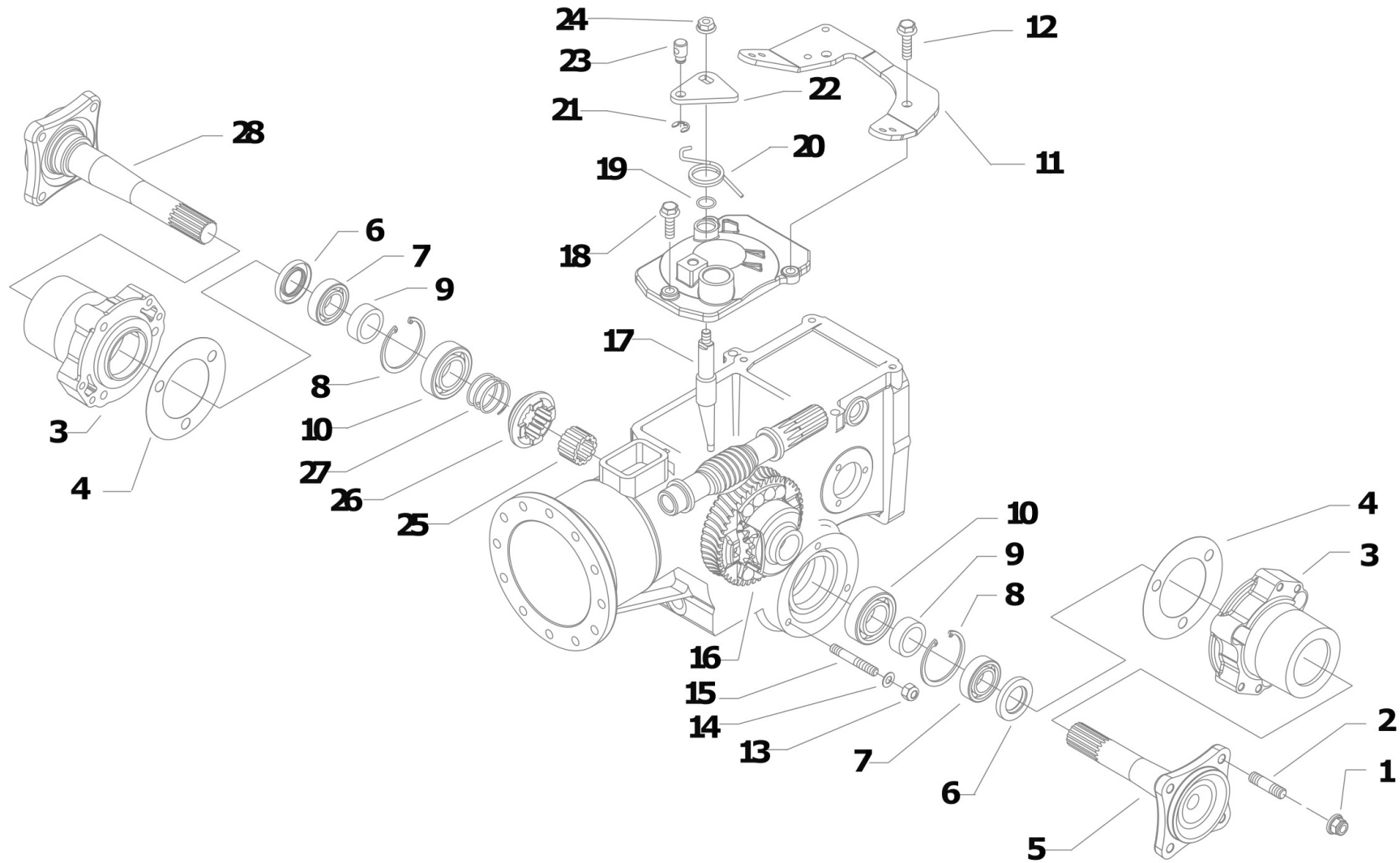
 [Click for info](#)

★ = new part



Pos.	Id	Q.ty	Description	Note
1	34213055		ROLL PIN	
2	563C0177Z		SLEEVE	
3	563C0208Z		SLEEVE	
4	58056683		SPRING	
5	37911532		BALL 15/32	
6	561C1669		PIASTRA AZIONAMENTI MC HY	
7	590C1685		FARFALLA MC HY C.TA grz	
8	31414190		WASHER 19	
9	31241182		SELFLOCK NUT M18X1,5	
10	35121018		SEEGER RING E 18 DIN 471	
11	31241084		SELFLOCK NUT M8 6S	
12	561C0135Z		LEVER	
13	581C1715		CABLE CLAMP 11-55-21-5	
14	31112170		SCREW TE C/F M8X20 DIN 6921	
15	31413084		WASHER 8,4	
16	35211050		SEEGER RING E 5 UNI 7434	
17	580C1679Z		MOLLA BLOCCO PTO MC HY ZNT	
18	563C0426		LOCKING BOLT	
19	590C1681		CONTRASTO PTO MC HY C.TO	
20	563C0134		LOCKING BOLT	





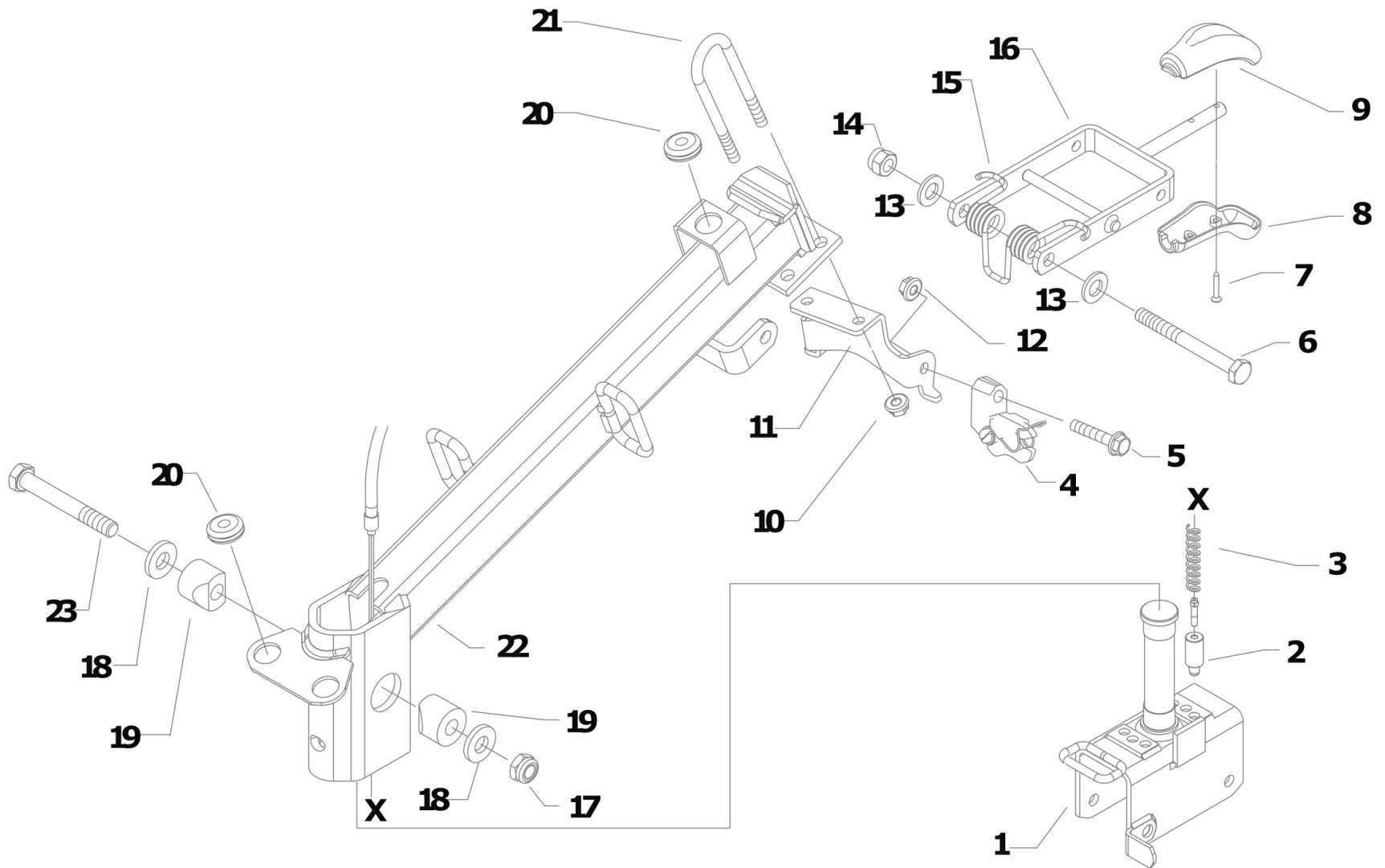
 [Click for info](#)

★ = new part



Pos.	Id	Q.ty	Description	Note
1	31241103		SELFLOCK NUT M10	
2	31312102		STUD BOLT M10X40X24X12	
3	53243851N		HUB	
4	58043855		GASKET	
5	52448187N		AXLE SHAFT	
6	38213002		OIL SEAL 30X40X7	
7	37111253		BEARING 6005 (25X47X12)	
8	35111047		SEEGER RING I 47 DIN 472	
9	56148184		RING	
10	37111250		BEARING	
11	56156827N		STOP	
12	31112167		SCREW TE C/F M8X30 DIN 6921 8G	
13	31241080		HEXAGON SELFLOCK NUT M8	
14	31423084		SPRING WASHER 8,4	
15	31312080		STUD BOLT M8X46X20X12	
16	59048181		DIFFERENTIAL GEAR	
17	56443871		ROD	
18	31112166		SCREW TE C/F M8X25 DIN 6921 8G	
19	38111400		O-RING (14,00X1,78)	
20	58043881N		SPRING	
21	35211060		SEEGER RING E 6 UNI 7434	
22	56156219Z		LEVER	
23	56156828Z		STOP	
24	31241084		SELFLOCK NUT M8 6S	
25	56448183		SPACER	
26	56448196		COUPLING	
27	58043874		SPRING	
28	52448188N		AXLE SHAFT	





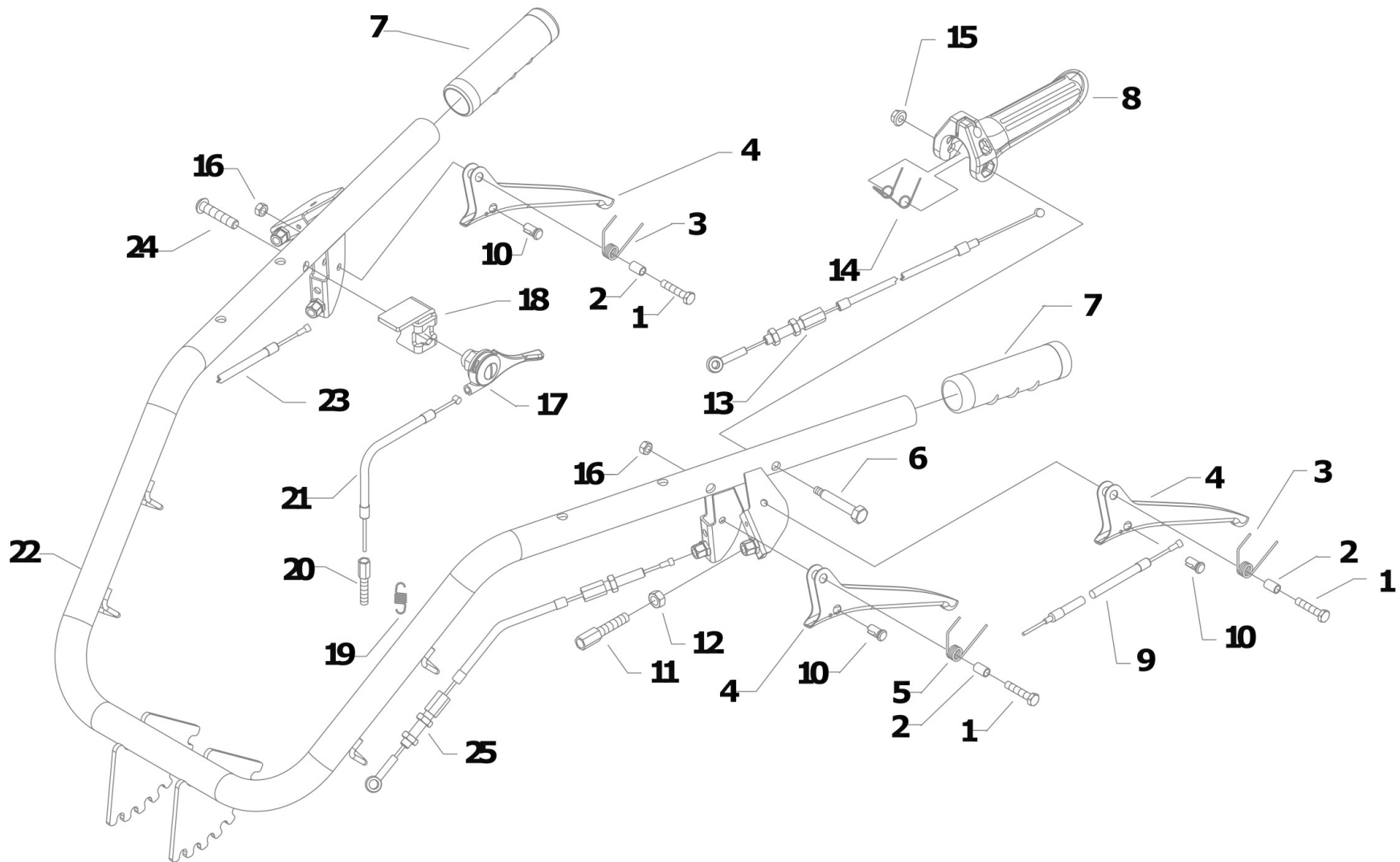
 [Click for info](#)

★ = new part



Pos.	Id	Q.ty	Description	Note
1	59057011N		CONNECTION	
2	56356924		FERRULE	
3	58056918		SPRING	
4	59243337		ROD SUPPORT WITH SPRING	
5	31112165		SCREW TE C/F M8X35 DIN 6921 8G	
6	31111229		SCREW TE M10X110 UNI 5737 8G	
7	31100451		SCREW 3,5X25	
8	55157213		GRIP	
9	55157212		GRIP	
10	31241080		HEXAGON SELFLOCK NUT M8	
11	561C1653		SUPPORTO FISSO ASTE MC HY grz	
12	31241084		SELFLOCK NUT M8 6S	
13	31411130		WASHER 13x24	
14	31241100		SELFLOCK HEXAGON NUT M10	
15	58056942N		SPRING	
16	59057010N		LEVER	
17	31241126		SELFLOCK NUT M12	
18	31421100Z		CUP SPRING 25X12,2X1,5 D2093	
19	52156917		WEDGE	
20	58056991		CABLE GLAND 90/200/30	
21	56156940		U BOLT	
22	590C0125N		COLUMN	
23	31112293		SCREW TE M12X80 UNI 5737	





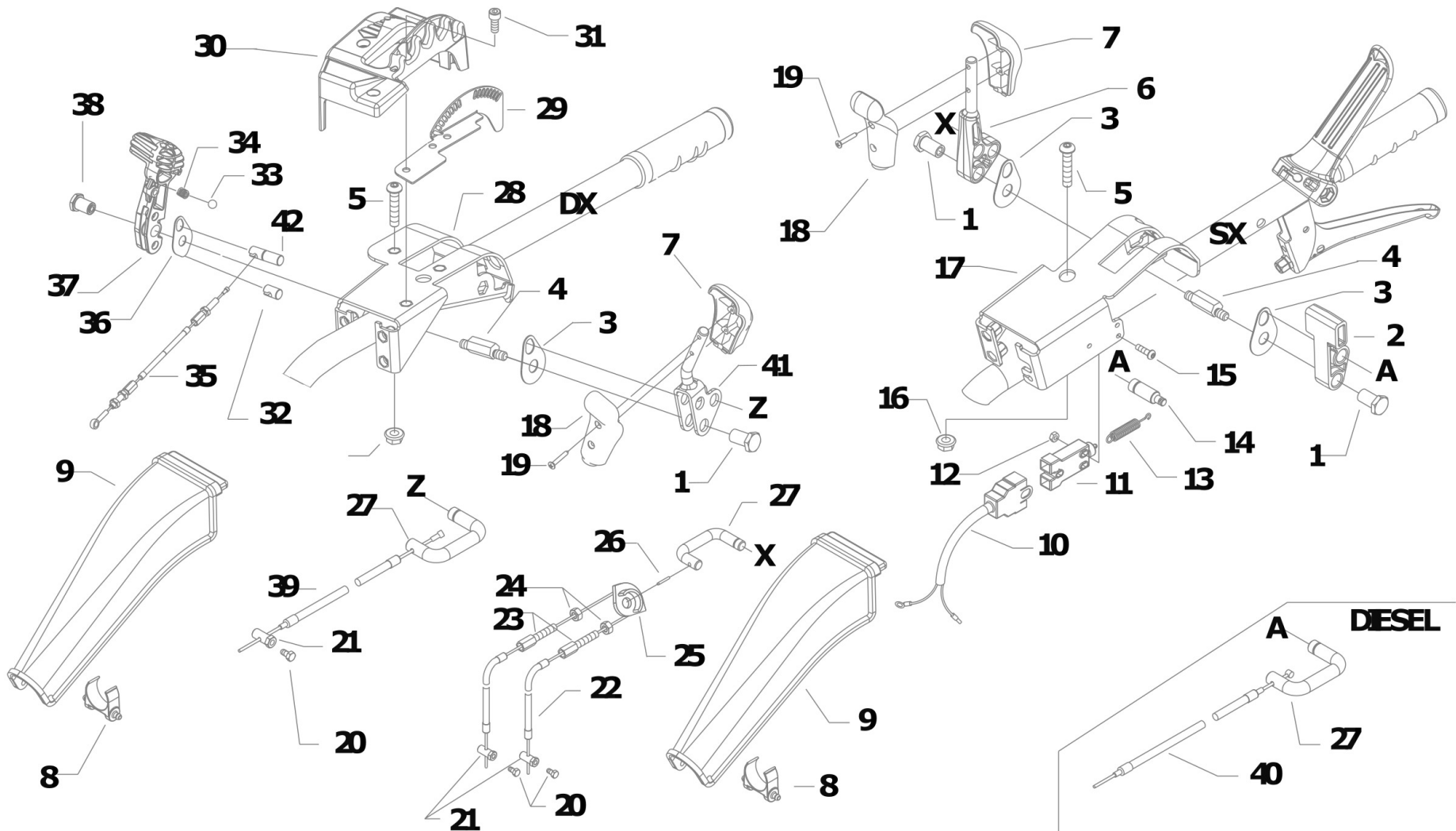
 [Click for info](#)

★ = new part



Pos.	Id	Q.ty	Description	Note
1	31112089		SCREW TE M6X25 UNI 5739 8G	
2	56156603Z		SPACER	
3	58056593		SPRING	
4	56148470N		LEVER	
5	58050345		SPRING	
6	56356184Z		LEVER PIN	
7	58048000		KNOB D=27	
8	55256185		LEVER	
9	58056842		LINE AND SHEATH L=1530	
10	58150313		CABLE CLAMP	
11	58056595		ADJUSTING SCREW M8	
12	31211080		NUT M8	
13	580C1711		FILO STOP MC HY C.TO L=1500	
14	58056186Z		SPRING	
15	31241065		SELFLOCK NUT M6	
16	31241060		HEXAGON SELFLOCK NUT M6	
17	58002538		ACCELERATOR	
18	56156874N		PANEL	
19	58056155		RESTORING SPRING	GX 390
20	58147704		ADJUSTING SCREW	
21	58056811		LINE AND SHEATH L=1850	L100
21	58056816		LINE AND SHEATH L=2135	GX 390
22	59256178		HANDLE BAR	
23	58057422		COLUMN UNLOCKING TRANSMISSION	
24	31121020		SCREW TBCEI M8X40 ISO7380 10K Z	
25	580C1710		FILO FRIZIONE HY CTO L=1460	





 [Click for info](#)

★ = new part

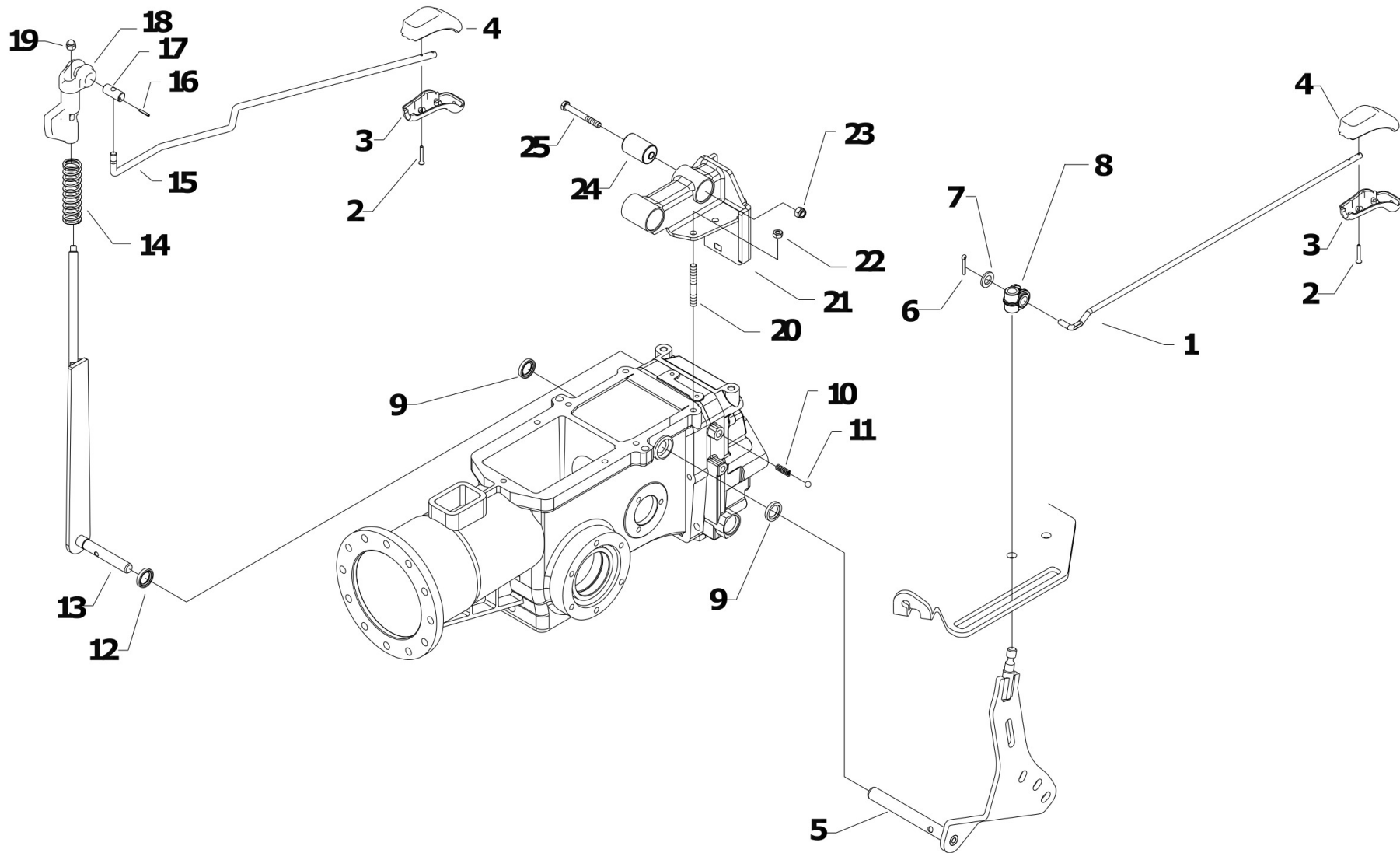


Pos.	Id	Q.ty	Description	Note
1	56148287		STUD BOLT	
2	55256197		MOTOR STOP LEVER	
3	56356833		SMALL PLATE	
4	56356858		PIN	
5	31121020		SCREW TBCEI M8X40 ISO7380 10K Z	
6	53156860		COMMAND LEVER	
7	55157212		GRIP	
8	55256836		SUPPORT, ELECTRICAL BOX	
9	55256835		PROTECTION COVER	
10	58056837		WIRING	
11	58048009		ENGINE STOP SWITCH	
12	31241042		SELFLOCK NUT M4 FL.6S	
13	58047712		SPRING	
14	56156834Z		INDEXING BOLT	
15	31121024		SCREW TBCEI FL.M4X25	
16	31241084		SELFLOCK NUT M8 6S	
17	59256180		SUPPORT	
18	55157213		GRIP	
19	31100451		SCREW 3,5X25	
20	31112090		SCREW TE M6X16 UNI 5739 8G	
21	56356840Z		CLAMPING SCREW	
22	580C1712		FILO E G.FRENO MC HY L=1300 mr	
23	58056595		ADJUSTING SCREW M8	
24	31211080		NUT M8	
25	55256757		PULLEY	
26	34213020		ROLL PIN	
27	56156832Z		U BOLT	
28	592C0477		SUPPORT	
29	521C1453Z		SETTORE PER SFERA ZNT	



Pos.	Id	Q.ty	Description	Note
30	552C0480		MANIPOLATORE EASYGRIP	
31	31152081		SCREW TCEI M8X20 UNI 5931	
32	561C0216Z		CABLE CLAMP D.12	
33	37911032		BALL 5/16	
34	58042059		SPRING	
35	580C1714		FILO E GUAINA COM. IDRO MC HY	
36	563C0215Z		SMALL PLATE	
37	552C0484		COMMAND LEVER	
38	561C0476Z		STUD BOLT	
39	580C1713		FILO E G.DIFFER. MC HY L=1300	
40	58048005		LINE AND SHEATH (L=1170)	L100
41	590C1651		LEVA COMANDO MC HY C.TA	
42	561C1687		BARILOTTO D.12 HY	





[Click for info](#)

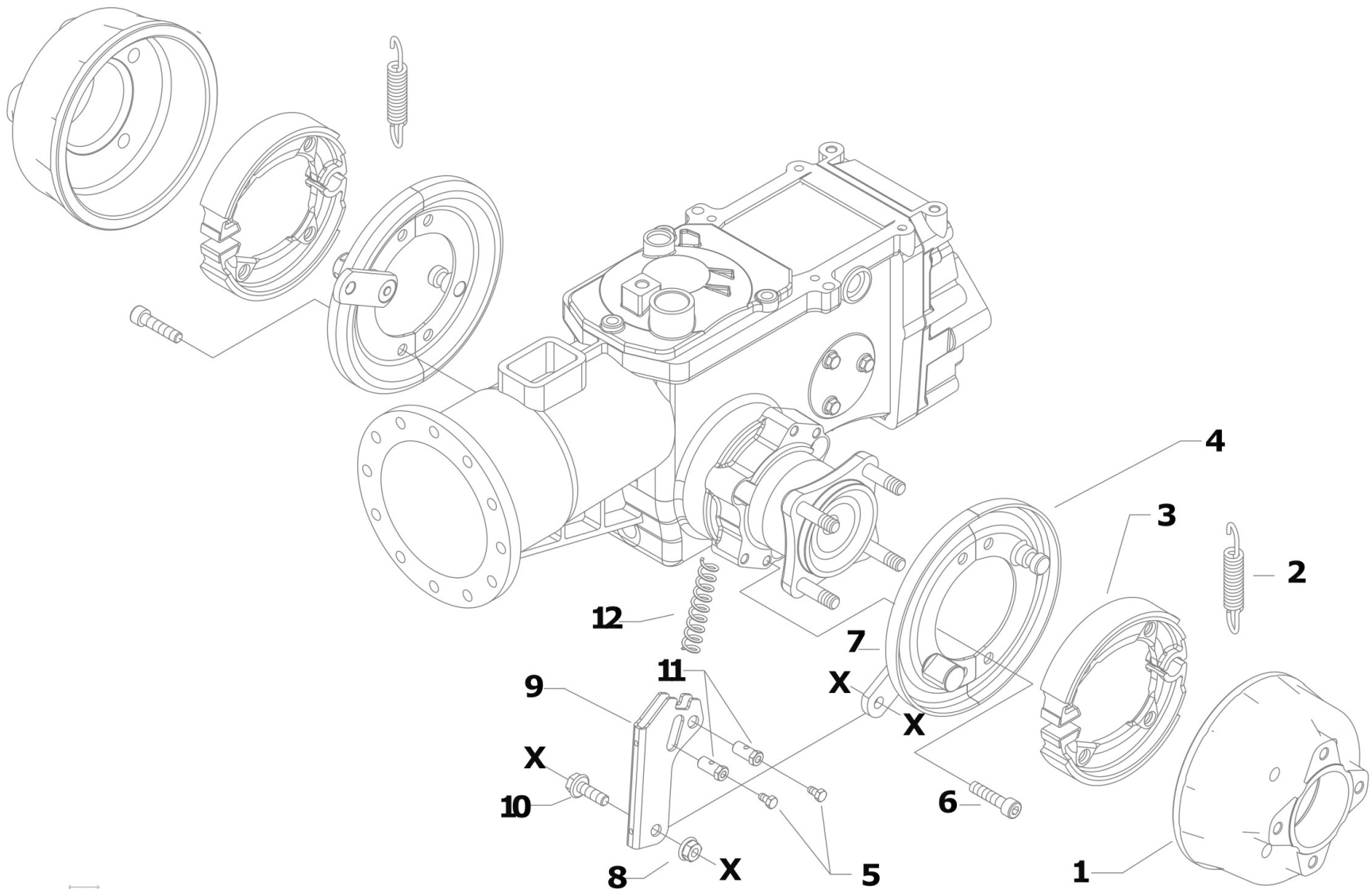


= new part



Pos.	Id	Q.ty	Description	Note
1	561C1678Z		ASTA CAMBIO MC HY ZNT	
2	31100451		SCREW 3,5X25	
3	55157213		GRIP	
4	55157212		GRIP	
5	590C1683		LEVA CAMBIO MC HY C.TA	
6	34110028		SPLIT PIN A3X15 UNI 1336	
7	31411104		WASHER 10,5x18	
8	55242528		JOINT	
9	38211400		OIL SEAL 14X22X4	
10	58043176		SPRING	
11	37911532		BALL 15/32	
12	38211496		OIL SEAL AS15X26X7 DIN3760 NBR	
13	590C1658Z		LEVA PTO MC HY C.TA ZNT	
14	580C1673Z		PTO JOINT SPRING	
15	561C1677Z		ASTA COMANDO PTO MC HY ZNT	
16	34211042		ROLL PIN	
17	561C1676Z		PTO ROD HINGE	
18	552C1667		SNODO CAMBIO MC HY	
19	31200125		SELFLOCK NUT M8	
20	31312103		STUD BOLT M10X46X24X16	
21	590C1655		SUPPORTO PIANT. MC HY C/SBLOC	
22	31211100		NUT M10	
23	31241120		SELFLOCK NUT M12	
24	30010120		SILENT-BLOCK 12X40X58X66	
25	31112701		SCREW TE M12X100 UNI 5737	





 [Click for info](#)

★ = new part



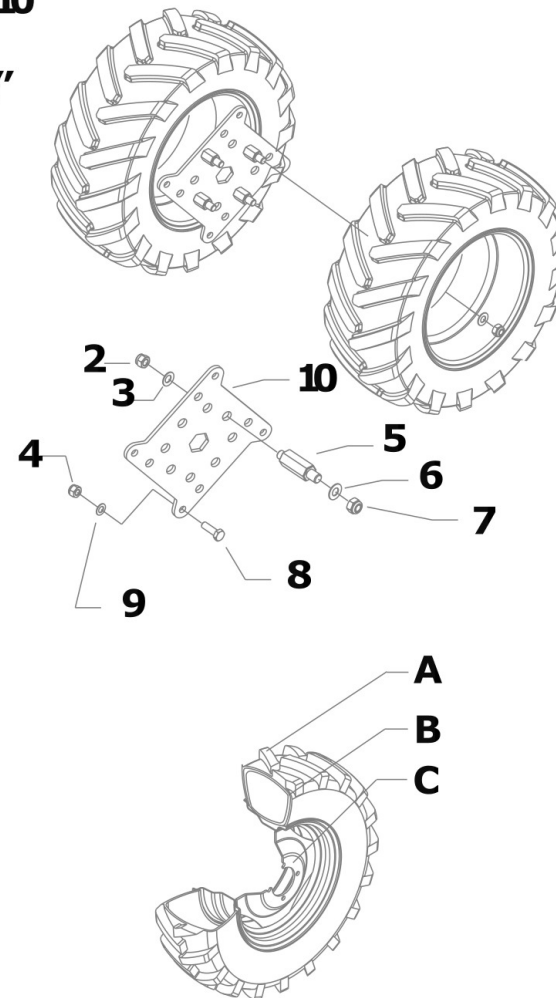
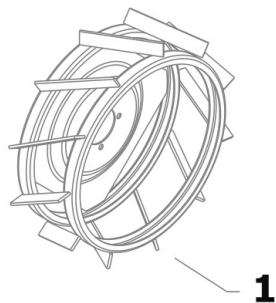
Pos.	Id	Q.ty	Description	Note
1	513C1665		BRAKE DRUM	
2	58048215		SPRING	
3	58048214		BRAKE BLOCK	
4	59048208N		HALF DISC	
5	31112090		SCREW TE M6X16 UNI 5739 8G	
6	31152085		SCREW TCEI M8X25 UNI 5931	
7	59048200N		HALF DISC	
8	31241084		SELFLOCK NUT M8 6S	
9	56156831Z		FORK	
10	31112166		SCREW TE C/F M8X25 DIN 6921 8G	
11	56356840		CLAMPING SCREW	
12	58056918		SPRING	



	A	B	C
50-10"	39115010	39415010	58048330
65x80-12"	39116018	39416018	58044804

KIT GEMELLAGGIO PER 5.0-10"
TWINNING KIT FOR 5.0-10"
JUMELAGE KIT POUR 5.0-10"
KIT GEMELOS POR 5.0-10"
ZWILLINGS KIT 5.0-10"
(92257794)

50-10"
(92242747)



 [Click for info](#)

★ = new part

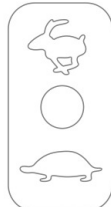


Pos.	Id	Q.ty	Description	Note
1	58042072N		RUOTA A GABBIA	
1	58042073N		RUOTA A GABBIA	
2	31241120		SELFLOCK NUT M12	
3	31423130		SPRING WASHER EL 13 DIN 137-B	
4	31241080		HEXAGON SELFLOCK NUT M8	
5	56359554		PIN	
6	56359554		PIN	
7	31241100		SELFLOCK HEXAGON NUT M10	
8	31112151		SCREW TE M8X25 UNI 5739 8G	
9	31423084		SPRING WASHER 8,4	
10	59059551		FLANGE	

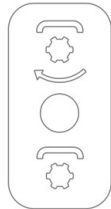




1



2



3



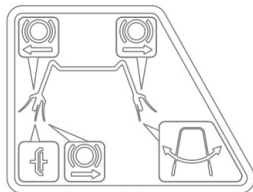
4



5



6



7



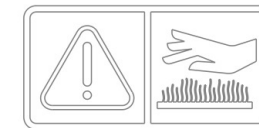
8



9



10



11



12



13

PowerSafe®

14



15



16

770HY

17



[Click for info](#)

= new part

Pos.	Id	Q.ty	Description	Note
1	58056866		DECAL	
2	58057450		DECAL	
3	58057451		DECAL	
4	58056869		DECAL	
5	580C1709		ADESIVA SICUREZZA PTO	
6	58057724		DECAL	
7	580C0142		DECAL	
8	58057746		DECAL	
9	58057747		DECAL	
10	530C0056		DECAL MADE IN ITALY	
11	58057768		DECAL	
12	58093089		DECAL	
13	58057625		DECAL	
14	53057666		POWERSAFE BRAND	
15	53093088		OVAL LOGO	
16	58057767		DECAL	
17	58058458		ADESIVA 770 HY	



Id	drawing	Pos.	Q.ty
30000197	B.01.01.A0039_00	9	
	B.01.01.A0039_01	9	
30010120	M.01.01.A0039_00	24	
30040133Z	G.01.01.A0039_00	10	
31100015	F.01.01.A0039_00	12	
31100033	E.01.01.A0039_00	9	
31100451	A.01.01.A0039_00	13	
	J.01.01.A0039_00	7	
	L.01.01.A0039_00	19	
	M.01.01.A0039_00	2	
31111229	J.01.01.A0039_00	6	
31112079	G.01.01.A0039_00	3	
31112081	A.01.01.A0039_00	8	
31112083	H.04.01.A0039_00	9	
31112084	B.01.01.A0039_00	16	
	B.01.01.A0039_01	16	
31112089	K.01.01.A0039_00	1	
31112090	L.01.01.A0039_00	20	
	N.01.01.A0039_00	5	
31112099	D.01.01.A0039_00	3	
	D.01.01.A0039_01	3	
31112151	P.01.01.A0039_00	8	
31112154	A.01.01.A0039_00	1	
31112165	J.01.01.A0039_00	5	
31112166	I.01.01.A0039_00	18	
	N.01.01.A0039_00	10	
31112167	I.01.01.A0039_00	12	
31112170	G.01.01.A0039_00	15	
	H.05.01.A0039_00	14	

Id	drawing	Pos.	Q.ty
31112171	A.01.01.A0039_00	3	
31112210	H.02.01.A0039_00	10	
	H.04.01.A0039_00	19	
31112293	J.01.01.A0039_00	23	
31112701	M.01.01.A0039_00	25	
31121008	A.01.01.A0039_00	6	
31121020	K.01.01.A0039_00	24	
	L.01.01.A0039_00	5	
31121024	L.01.01.A0039_00	15	
31152060	B.01.01.A0039_00	24	
	B.01.01.A0039_01	24	
31152063	B.01.01.A0039_00	1	
	B.01.01.A0039_01	1	
31152081	L.01.01.A0039_00	31	
31152085	N.01.01.A0039_00	6	
31152090	E.01.01.A0039_00	6	
31200125	M.01.01.A0039_00	19	
31211080	K.01.01.A0039_00	12	
	L.01.01.A0039_00	24	
31211100	M.01.01.A0039_00	22	
31221121	G.01.01.A0039_00	19	
31241042	L.01.01.A0039_00	12	
31241060	K.01.01.A0039_00	16	
31241065	K.01.01.A0039_00	15	
31241066	A.01.01.A0039_00	4	
	H.04.01.A0039_00	1	
31241080	I.01.01.A0039_00	13	
	J.01.01.A0039_00	10	
	P.01.01.A0039_00	4	

Id	drawing	Pos.	Q.ty
31241083	F.01.01.A0039_00	3	
31241084	A.01.01.A0039_00	2	
	G.01.01.A0039_00	8	
	H.02.01.A0039_00	14	
	H.04.01.A0039_00	6	
	H.05.01.A0039_00	11	
	I.01.01.A0039_00	24	
	J.01.01.A0039_00	12	
	L.01.01.A0039_00	16	
	N.01.01.A0039_00	8	
31241100	J.01.01.A0039_00	14	
	P.01.01.A0039_00	7	
31241103	I.01.01.A0039_00	1	
31241120	M.01.01.A0039_00	23	
	P.01.01.A0039_00	2	
31241126	J.01.01.A0039_00	17	
31241182	H.05.01.A0039_00	9	
31312073	F.01.01.A0039_00	13	
31312079	H.02.01.A0039_00	22	
31312080	I.01.01.A0039_00	15	
31312086	H.02.01.A0039_00	12	
	H.02.01.A0039_00	21	
31312090	G.01.01.A0039_00	12	
31312097	F.01.01.A0039_00	4	
	G.01.01.A0039_00	5	
31312102	I.01.01.A0039_00	2	
31312103	M.01.01.A0039_00	20	
31312125	G.01.01.A0039_00	17	
31411066	H.04.01.A0039_00	10	



Id	drawing	Pos.	Q.ty
31411104	M.01.01.A0039_00	7	
31411130	J.01.01.A0039_00	13	
31413084	H.05.01.A0039_00	15	
31414190	H.05.01.A0039_00	8	
31421083	E.01.01.A0039_00	5	
	H.04.01.A0039_00	3	
31421100Z	J.01.01.A0039_00	18	
31421101	E.01.01.A0039_00	10	
	H.02.01.A0039_00	11	
	H.04.01.A0039_00	20	
31421132	G.01.01.A0039_00	18	
31423084	I.01.01.A0039_00	14	
	P.01.01.A0039_00	9	
31423130	P.01.01.A0039_00	3	
31480184	B.01.01.A0039_00	10	
	B.01.01.A0039_01	10	
	D.01.01.A0039_00	2	
	D.01.01.A0039_01	2	
	G.01.01.A0039_00	2	
	H.04.01.A0039_00	16	
31510100	A.01.01.A0039_00	11	
34110028	M.01.01.A0039_00	6	
34211042	M.01.01.A0039_00	16	
34213020	L.01.01.A0039_00	26	
34213055	H.05.01.A0039_00	1	
34213060	H.01.01.A0039_00	21	
34213061	H.01.01.A0039_00	8	
34221040	B.01.01.A0039_00	5	
	B.01.01.A0039_01	5	

Id	drawing	Pos.	Q.ty
34321050	H.04.01.A0039_00	11	
35111047	I.01.01.A0039_00	8	
35111053	H.01.01.A0039_00	18	
35111055	H.01.01.A0039_00	10	
35111062	H.03.01.A0039_00	6	
35121018	H.05.01.A0039_00	10	
35121022	H.02.01.A0039_00	1	
35121031	H.01.01.A0039_00	5	
35211050	B.01.01.A0039_00	17	
	B.01.01.A0039_01	17	
	H.05.01.A0039_00	16	
35211060	B.01.01.A0039_00	15	
	B.01.01.A0039_01	15	
	I.01.01.A0039_00	21	
35211150	H.02.01.A0039_00	13	
37111151	H.01.01.A0039_00	1	
	H.02.01.A0039_00	20	
37111200	H.02.01.A0039_00	15	
	H.03.01.A0039_00	2	
37111250	I.01.01.A0039_00	10	
37111253	H.02.01.A0039_00	4	
	I.01.01.A0039_00	7	
37111362	H.03.01.A0039_00	4	
37112229	H.01.01.A0039_00	9	
	H.02.01.A0039_00	6	
37141250	H.01.01.A0039_00	16	
37141253	C.01.01.A0039_00	7	
37161500	C.01.01.A0039_00	3	
37910832	H.01.01.A0039_00	14	

Id	drawing	Pos.	Q.ty
37911032	L.01.01.A0039_00	33	
37911532	H.05.01.A0039_00	5	
	M.01.01.A0039_00	11	
38110675	E.01.01.A0039_00	3	
38110873	D.01.01.A0039_00	5	
	D.01.01.A0039_01	5	
38111078	D.01.01.A0039_01	10	
38111400	I.01.01.A0039_00	19	
38111872	E.01.01.A0039_00	1	
38118859	C.01.01.A0039_00	1	
38119823	F.01.01.A0039_00	2	
	F.01.01.A0039_00	11	
38120501	C.01.01.A0039_00	9	
38140851	C.01.01.A0039_00	11	
38211400	B.01.01.A0039_00	19	
	B.01.01.A0039_01	19	
	H.01.01.A0039_00	20	
	M.01.01.A0039_00	9	
38211496	M.01.01.A0039_00	12	
38212001	H.03.01.A0039_00	1	
38213002	I.01.01.A0039_00	6	
38213202	F.01.01.A0039_00	1	
38213500	F.01.01.A0039_00	10	
38214207	H.01.01.A0039_00	11	
513C1665	N.01.01.A0039_00	1	
52156917	J.01.01.A0039_00	19	
521C1453Z	L.01.01.A0039_00	29	
52448187N	I.01.01.A0039_00	5	
52448188N	I.01.01.A0039_00	28	



Id	drawing	Pos.	Q.ty
52456220	B.01.01.A0039_00	20	
	B.01.01.A0039_01	20	
52456233	E.01.01.A0039_00	7	
52456235	B.01.01.A0039_00	29	
	B.01.01.A0039_01	29	
52456236	F.01.01.A0039_00	8	
52456245	E.01.01.A0039_00	2	
52456371	B.01.01.A0039_00	3	
	B.01.01.A0039_01	3	
52456372	B.01.01.A0039_00	4	
	B.01.01.A0039_01	4	
52456389	H.01.01.A0039_00	19	
52456390	H.01.01.A0039_00	7	
52456621	H.01.01.A0039_00	12	
52456694	C.01.01.A0039_00	6	
52456706	H.01.01.A0039_00	4	
524C0157	H.03.01.A0039_00	5	
524C0158	H.02.01.A0039_00	17	
524C0160	H.02.01.A0039_00	8	
524C0162	H.02.01.A0039_00	3	
524C0227	H.01.01.A0039_00	22	
524C0445	H.02.01.A0039_00	16	
524C0575	H.02.01.A0039_00	7	
524C1674	H.02.01.A0039_00	9	
53057666	R.01.01.A0039_00	14	
53093088	R.01.01.A0039_00	15	
530C0056	R.01.01.A0039_00	10	
53143875N	G.01.01.A0039_00	11	
53156202N	G.01.01.A0039_00	9	

Id	drawing	Pos.	Q.ty
53156205	F.01.01.A0039_00	14	
53156207	F.01.01.A0039_00	5	
53156210	C.01.01.A0039_00	8	
53156218	C.01.01.A0039_00	10	
53156659	D.01.01.A0039_00	4	
	D.01.01.A0039_01	4	
53156860	L.01.01.A0039_00	6	
53243851N	I.01.01.A0039_00	3	
532C0439	H.02.01.A0039_00	5	
532C1660N	G.01.01.A0039_00	16	
55157212	J.01.01.A0039_00	9	
	L.01.01.A0039_00	7	
	M.01.01.A0039_00	4	
55157213	J.01.01.A0039_00	8	
	L.01.01.A0039_00	18	
	M.01.01.A0039_00	3	
551C0456	H.04.01.A0039_00	15	
55242528	M.01.01.A0039_00	8	
55256185	K.01.01.A0039_00	8	
55256197	L.01.01.A0039_00	2	
55256228	B.01.01.A0039_00	13	
	B.01.01.A0039_01	13	
55256757	L.01.01.A0039_00	25	
55256835	L.01.01.A0039_00	9	
55256836	L.01.01.A0039_00	8	
55257521	A.01.01.A0039_00	10	
55257522	A.01.01.A0039_00	12	
55257621	A.01.01.A0039_00	15	
55257623	A.01.01.A0039_00	16	

Id	drawing	Pos.	Q.ty
552C0153	H.04.01.A0039_00	12	
552C0154	H.04.01.A0039_00	2	
552C0480	L.01.01.A0039_00	30	
552C0484	L.01.01.A0039_00	37	
552C1001	A.01.01.A0039_00	7	
552C1667	M.01.01.A0039_00	18	
56147520Z	G.01.01.A0039_00	4	
56148184	I.01.01.A0039_00	9	
56148287	L.01.01.A0039_00	1	
56148470N	K.01.01.A0039_00	4	
56156219Z	I.01.01.A0039_00	22	
56156224	B.01.01.A0039_00	23	
	B.01.01.A0039_01	23	
56156247	C.01.01.A0039_00	4	
56156281	F.01.01.A0039_00	6	
56156288Z	E.01.01.A0039_00	4	
56156603Z	K.01.01.A0039_00	2	
56156658	B.01.01.A0039_00	26	
	B.01.01.A0039_01	26	
56156827N	I.01.01.A0039_00	11	
56156828Z	I.01.01.A0039_00	23	
56156831Z	N.01.01.A0039_00	9	
56156832Z	L.01.01.A0039_00	27	
56156834Z	L.01.01.A0039_00	14	
56156874N	K.01.01.A0039_00	18	
56156940	J.01.01.A0039_00	21	
561C0135Z	H.05.01.A0039_00	12	
561C0216Z	L.01.01.A0039_00	32	
561C0421	E.01.01.A0039_00	8	



Id	drawing	Pos.	Q.ty
561C0476Z	L.01.01.A0039_00	38	
561C1653	J.01.01.A0039_00	11	
561C1669	H.05.01.A0039_00	6	
561C1670	H.04.01.A0039_00	17	
561C1676Z	M.01.01.A0039_00	17	
561C1677Z	M.01.01.A0039_00	15	
561C1678Z	M.01.01.A0039_00	1	
561C1680N	A.01.01.A0039_00	5	
561C1687	L.01.01.A0039_00	42	
56356184Z	K.01.01.A0039_00	6	
56356216	C.01.01.A0039_00	2	
56356239	F.01.01.A0039_00	7	
56356242	B.01.01.A0039_00	28	
	B.01.01.A0039_01	28	
56356328	H.01.01.A0039_00	17	
56356329	H.01.01.A0039_00	17	
56356330	H.01.01.A0039_00	17	
56356331	H.01.01.A0039_00	17	
56356364	B.01.01.A0039_00	2	
	B.01.01.A0039_01	2	
56356747	B.01.01.A0039_00	22	
	B.01.01.A0039_01	22	
56356833	L.01.01.A0039_00	3	
56356840	N.01.01.A0039_00	11	
56356840Z	L.01.01.A0039_00	21	
56356858	L.01.01.A0039_00	4	
56356924	J.01.01.A0039_00	2	
56359554	P.01.01.A0039_00	5	
	P.01.01.A0039_00	6	

Id	drawing	Pos.	Q.ty
563C0134	H.05.01.A0039_00	20	
563C0173Z	H.04.01.A0039_00	4	
563C0174	H.04.01.A0039_00	5	
563C0177Z	H.05.01.A0039_00	2	
563C0200	H.02.01.A0039_00	2	
563C0208Z	H.05.01.A0039_00	3	
563C0215Z	L.01.01.A0039_00	36	
563C0218	H.02.01.A0039_00	19	
563C0426	H.05.01.A0039_00	18	
56443871	I.01.01.A0039_00	17	
56448183	I.01.01.A0039_00	25	
56448196	I.01.01.A0039_00	26	
56456478	H.01.01.A0039_00	15	
56456657	B.01.01.A0039_00	25	
	B.01.01.A0039_01	25	
56556213	C.01.01.A0039_00	5	
58002538	K.01.01.A0039_00	17	
58042059	L.01.01.A0039_00	34	
58042072N	P.01.01.A0039_00	1	
58042073N	P.01.01.A0039_00	1	
58043053	G.01.01.A0039_00	7	
58043086	H.01.01.A0039_00	6	
58043176	M.01.01.A0039_00	10	
58043855	I.01.01.A0039_00	4	
58043874	I.01.01.A0039_00	27	
58043881N	I.01.01.A0039_00	20	
58047712	L.01.01.A0039_00	13	
58048000	K.01.01.A0039_00	7	
58048005	L.01.01.A0039_00	40	

Id	drawing	Pos.	Q.ty
58048009	L.01.01.A0039_00	11	
58048214	N.01.01.A0039_00	3	
58048215	N.01.01.A0039_00	2	
58050345	K.01.01.A0039_00	5	
58056155	K.01.01.A0039_00	19	
58056186Z	K.01.01.A0039_00	14	
58056221	B.01.01.A0039_00	21	
	B.01.01.A0039_01	21	
58056222	B.01.01.A0039_00	12	
	B.01.01.A0039_01	12	
58056391	H.01.01.A0039_00	13	
58056593	K.01.01.A0039_00	3	
58056595	K.01.01.A0039_00	11	
	L.01.01.A0039_00	23	
58056671	G.01.01.A0039_00	13	
58056683	B.01.01.A0039_00	27	
	B.01.01.A0039_01	27	
	H.05.01.A0039_00	4	
58056811	K.01.01.A0039_00	21	
58056816	K.01.01.A0039_00	21	
58056837	L.01.01.A0039_00	10	
58056842	K.01.01.A0039_00	9	
58056866	R.01.01.A0039_00	1	
58056869	R.01.01.A0039_00	4	
58056918	J.01.01.A0039_00	3	
	N.01.01.A0039_00	12	
58056942N	J.01.01.A0039_00	15	
58056991	A.01.01.A0039_00	9	
	J.01.01.A0039_00	20	



Id	drawing	Pos.	Q.ty
58057385	A.01.01.A0039_00	17	
58057422	K.01.01.A0039_00	23	
58057450	R.01.01.A0039_00	2	
58057451	R.01.01.A0039_00	3	
58057625	R.01.01.A0039_00	13	
58057724	R.01.01.A0039_00	6	
58057746	R.01.01.A0039_00	8	
58057747	R.01.01.A0039_00	9	
58057767	R.01.01.A0039_00	16	
58057768	R.01.01.A0039_00	11	
58058458	R.01.01.A0039_00	17	
58093089	R.01.01.A0039_00	12	
580C0041	B.01.01.A0039_00	7	
	B.01.01.A0039_01	7	
580C0142	R.01.01.A0039_00	7	
580C0148	G.01.01.A0039_00	6	
580C0223Z	H.04.01.A0039_00	13	
580C0224Z	H.04.01.A0039_00	8	
580C0268	D.01.01.A0039_00	9	
	D.01.01.A0039_01	9	
580C1673Z	M.01.01.A0039_00	14	
580C1679Z	H.05.01.A0039_00	17	
580C1709	R.01.01.A0039_00	5	
580C1710	K.01.01.A0039_00	25	
580C1711	K.01.01.A0039_00	13	
580C1712	L.01.01.A0039_00	22	
580C1713	L.01.01.A0039_00	39	
580C1714	L.01.01.A0039_00	35	
58147704	K.01.01.A0039_00	20	

Id	drawing	Pos.	Q.ty
58150313	K.01.01.A0039_00	10	
58170021	B.01.01.A0039_00	6	
581C0225	D.01.01.A0039_00	8	
	D.01.01.A0039_01	8	
581C0290	H.04.01.A0039_00	7	
581C1715	H.05.01.A0039_00	13	
581C2554	B.01.01.A0039_01	6	
59048181	L.01.01.A0039_00	16	
59048200N	N.01.01.A0039_00	7	
59048208N	N.01.01.A0039_00	4	
59053021H	A.01.01.A0039_00	14	
59056127H	A.01.01.A0039_00	14	
59056225Z	B.01.01.A0039_00	14	
	B.01.01.A0039_01	14	
59056244	G.01.01.A0039_00	1	
59056748Z	B.01.01.A0039_00	18	
	B.01.01.A0039_01	18	
59057010N	J.01.01.A0039_00	16	
59057011N	J.01.01.A0039_00	1	
59059551	P.01.01.A0039_00	10	
590C0125N	J.01.01.A0039_00	22	
590C0168	H.01.01.A0039_00	3	
590C0219Z	D.01.01.A0039_00	7	
	D.01.01.A0039_01	7	
590C0293	H.03.01.A0039_00	8	
590C0461Z	H.04.01.A0039_00	14	
590C1651	L.01.01.A0039_00	41	
590C1655	M.01.01.A0039_00	21	
590C1658Z	M.01.01.A0039_00	13	

Id	drawing	Pos.	Q.ty
590C1661	H.03.01.A0039_00	3	
590C1662	H.01.01.A0039_00	2	
590C1671	H.04.01.A0039_00	21	
590C1681	H.05.01.A0039_00	19	
590C1683	M.01.01.A0039_00	5	
590C1685	H.05.01.A0039_00	7	
59243337	J.01.01.A0039_00	4	
59256037	D.01.01.A0039_00	6	
	D.01.01.A0039_01	6	
59256038	D.01.01.A0039_00	6	
	D.01.01.A0039_01	6	
59256178	K.01.01.A0039_00	22	
59256180	L.01.01.A0039_00	17	
59256745	B.01.01.A0039_00	11	
	B.01.01.A0039_01	11	
59256762	G.01.01.A0039_00	14	
592C0477	L.01.01.A0039_00	28	
F0801275000	H.03.01.A0039_00	7	
F0801310000	H.02.01.A0039_00	18	
F0803075500	F.01.01.A0039_00	9	
F0843109020	D.01.01.A0039_00	1	
	D.01.01.A0039_01	1	
	H.04.01.A0039_00	18	
F0844273090	B.01.01.A0039_00	8	
	B.01.01.A0039_01	8	

